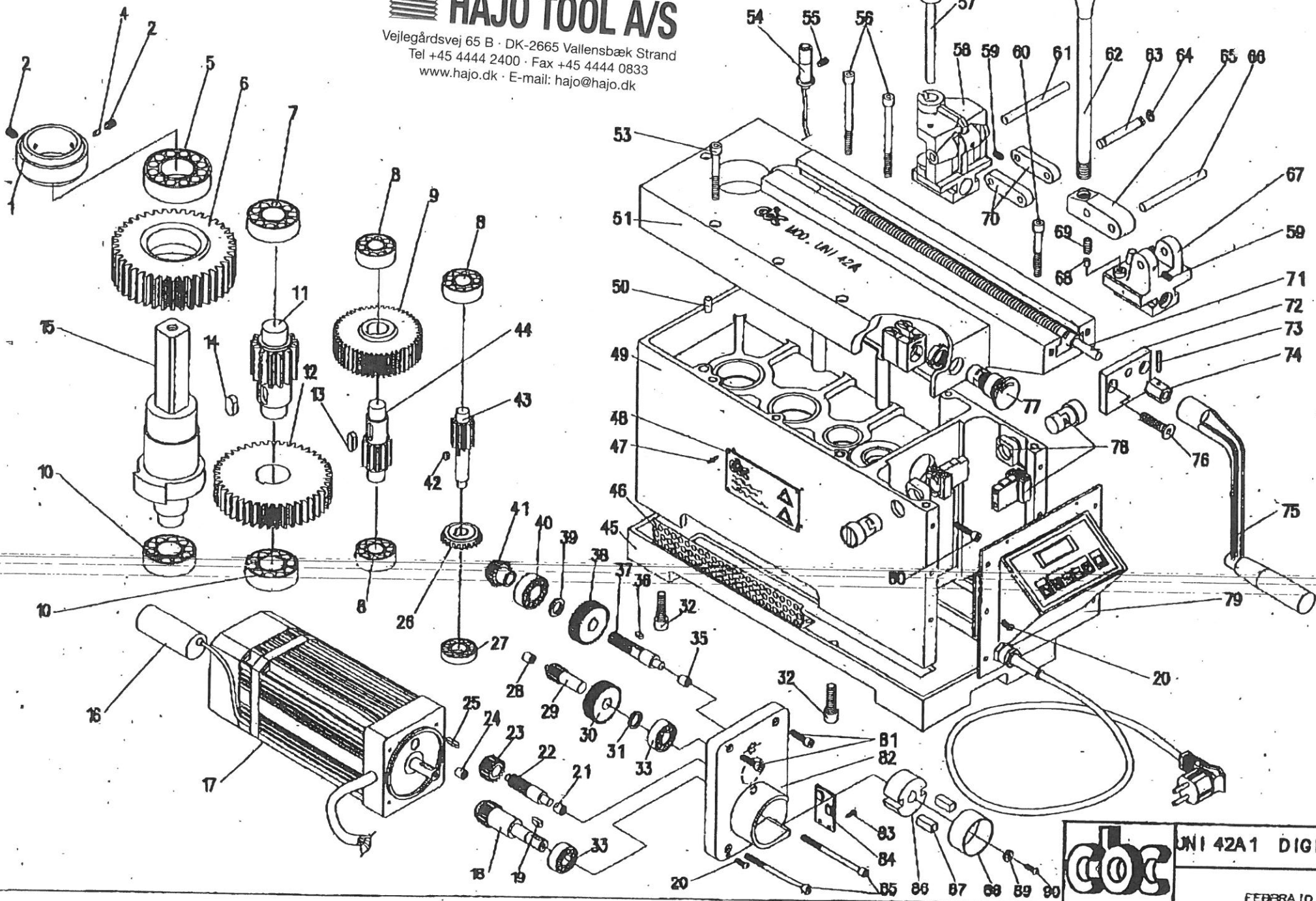




# HAJO TOOL A/S

Vejlegårdsvej 65 B · DK-2665 Vallensbæk Strand  
Tel +45 4444 2400 · Fax +45 4444 0833  
www.hajo.dk · E-mail: hajo@hajo.dk



**COC** UNI 42A1 DIGITALI

FEBBRA IO 2003

C.B.C SPA  
SPARE PARTS LIST - DIGITAL ELECTRIC BENDING MACHINE MOD. UNI42A1

Part. No.	Code	Description	Q.ty	Part. No.	Code	Description	Q.ty
1	500067	position ring	1	48	025021	name plate	1
2	019017	socket dowel	2	49	110056	reduction box	1
4	701017	clutch pad	1	50	595085	bush	2
5	001004	bearing	1	51	110127	reduction box cover	1
6	544298	gear outlet	1	53	015003	screw	1
7	001044	bearing	1	54	008125	sensor	2
8	001001	bearing	4	55	019007	socket dowel	2
9	544074	crown gear	1	56	015037	screw	2
10	001003	bearing	2	57	500318	counterformer support pin	1
11	544077	pinion	1	58	220498	counterformer support	1
12	544076	crown gear	1	59	019034	socket dowel	2
13	020008	key	1	60	015038	screw	5
14	020009	key	1	61	018078	dowel	1
15	544326	shaft outlet	1	62	515227	lever	1
16	008260	capacitor	1	63	526044	pin with seeger	1
17	007105.1	motor with brake	1	63	524053	counterformer support adjusting screw	1
18	544343	Motor pinion	1	64	023048	seeger	2
19	021015	washer	1	65	514339	locking lever connecting rod	1
20	015057	screw	10	66	018080	dowel	1
21	001077	bearing	1	67	220462	quick counterformer positioning device support	1
22	544067	Motor pinion	1	68	701017	Clutch pad	2
23	544308	Motor gear wheel	1	69	019018	socket dowel	2
24	001030	bearing	1	70	515354	quick counterformer positioning device's connecting rod	2
25	020026	key	1	71	524019.1	counterformer support adjusting screw	1
26	534039	crown gear	1	72	515483	adjusting screw flange	1
27	001040	bearing	1	73	018002	dowel	1
28	008006	bearing	1	74	515482	adjusting screw's hexagon	1
29	544368	pinion	1	75	000570	crank lever	1
30	544068	crown gear	1	76	016042	screw	2
31	115002	spacer	1	77	008304	compl. emergency stop button	1
32	015016	screw	4	78	008331	complete switch	2
33	001039	bearing	2	79	000991	complete electric card	1
35	001030	bearing	1	80	015035	screw	2
36	020002	key	1	81	015008	screw	2
37	544284	keyed shaft	1	82	135165	flange	1
38	544070	Shaft wheel gear	1	83	017026	screw	2
39	315009	bush	1	84	008392.1	encoder's electric card	1
40	001008	bearing	1	85	015003	screw	2
41	534025	pinion	1	86	135149	magnet's flange	1
42	020004	key	1	87	008391	magnet	2
43	544283	pinion outlet	1	88	008307	magnet's protective covering	1
44	544075	pinion	1	89	021015	washer	1
45	110055	reduction box base	1	90	015071	screw	1
46	601003	protection plate	1				
47	024005	rivet	4				



## HAJO TOOL A/S

Vejlegårdsvej 65 B · DK-2665 Vallensbæk Strand  
Tel +45 4444 2400 · Fax +45 4444 0833