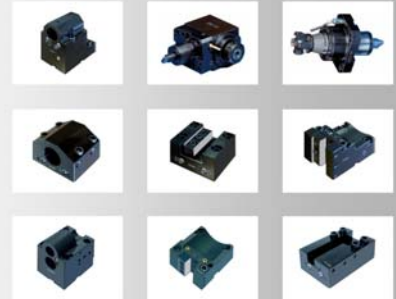




PORTA UTENSILI PER TORNIO TOOL HOLDERS FOR LATHE



PORTA UTENSILI PER TORNI CNC.



TOOL HOLDER FOR CNC LATHE MACHINES.



CHIA-MO SRL
VIA CADUTI DI SABBINDO, 12
40011 ANZOLA DELL'EMILIA
BOLOGNA ITALY

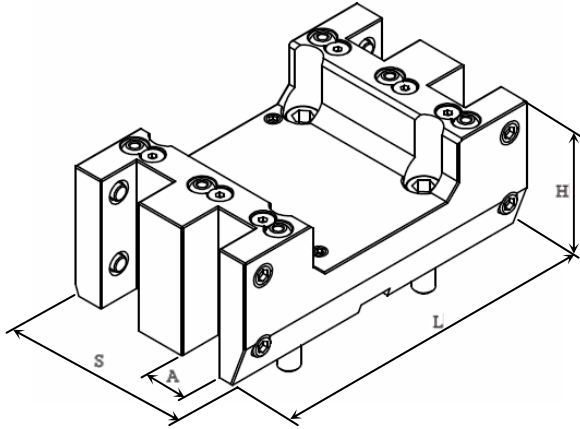
TEL +39 051734153
FAX +39 051734958

WWW.CHIAMO.IT
INFO@CHIAMO.IT



PORTA UTENSILE RADIALE QUADRUPLO TORNI DMG-MORI NL / NLX / NT

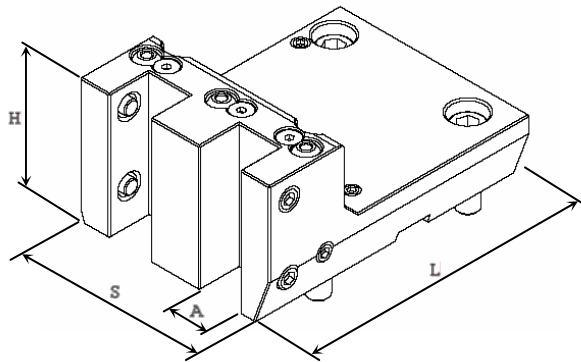
RADIAL TOOLHOLDERS DMG MORI LATHES NL / NLX / NT



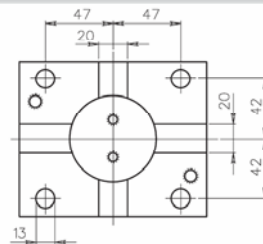
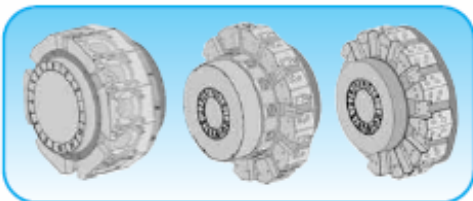
ART. (Code)	Cod. Mori Seiki	A	S	L	H
8M8.D25Q	-	25	119	197	78

PORTA UTENSILE RADIALE DOPPIO TORNI DMG MORI NL / NLX / NT

RADIAL TOOLHOLDERS DMG MORI LATHE NL / NLX / NT



ART. (Code)	Cod. Mori Seiki	A	S	L	H
8M8.V25D	-	25	119	163	78



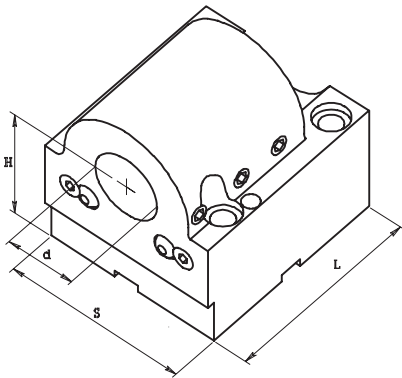
INTERASSE FORI IN PORTAUTENSILI
DISTANCE BETWEEN HOLES IN TOOLHOLDERS





TORNI DMG MORI NL / NLX / NT
DMG MORI LATHE NL / NLX / NT

PORTAUTENSILI ASSIALI - AXIAL TOOLHOLDERS



Code	Mori Seiki code				
ART.	Cod. Mori Seiki	d	H	S	L
7M8.C40	T10097	40	80	108	130
7M8.C40 R	T13128	40	80	108	130
7M8.C40 H120	T10113	40	120	108	130
7M8.C40 R H120	T13131	40	120	108	130
7M8.C50	T10098	50	80	108	130
7M8.C50 H120	T10114	50	120	108	130

Con passaggio liquido refrigerante esterno o interno
With inner or outer coolant feeding system

PORTAUTENSILI ASSIALI - AXIAL TOOLHOLDERS

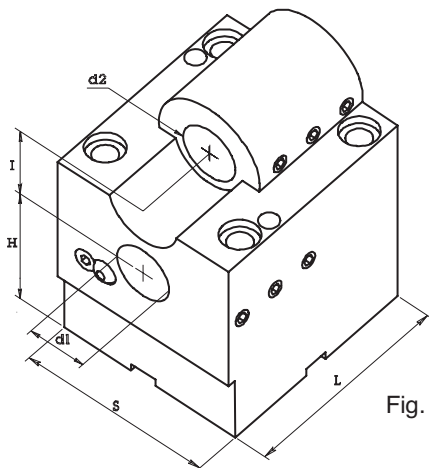


Fig. 1

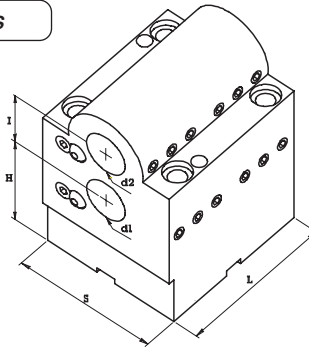
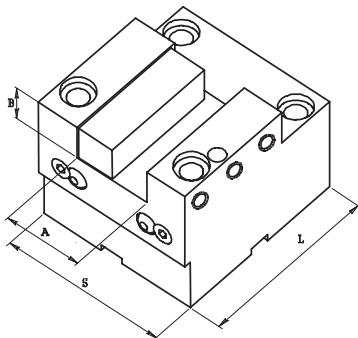
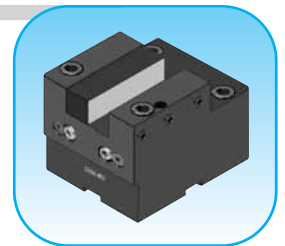


Fig. 2

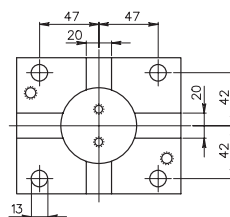
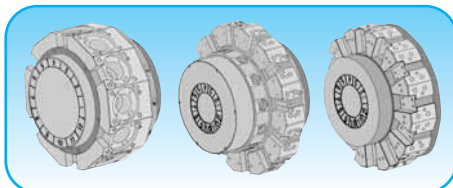
Con passaggio liquido refrigerante esterno o interno
With inner or outer coolant feeding system

Code	Mori Seiki code						
ART.	Cod. Mori Seiki	d1-d2	H	I	S	L	Fig.
7M8.D32	T10096	32	80	45	108	130	1
7M8.D32 L	—	32	80	45	108	130	2

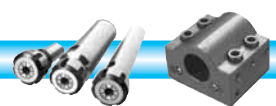
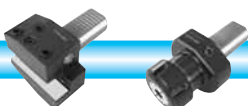
PORTAUTENSILI ASSIALI - AXIAL TOOLHOLDERS



Code	Mori Seiki code				
ART.	Cod. Mori Seiki	A	B	S	L
8M8.C40	T03006	40	20	108	130
8M8.C50	T03005	50	25	108	130



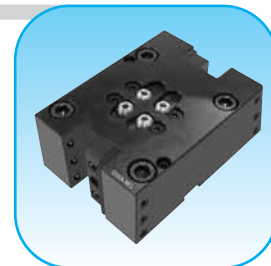
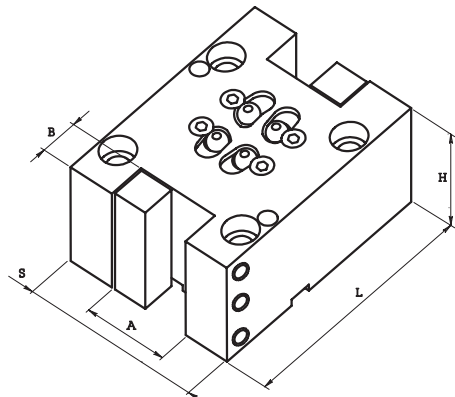
INTERASSE FORI IN PORTAUTENSILI
DISTANCE BETWEEN HOLES IN TOOLHOLDERS





TORNI DMG MORI NL / NLX / NT
DMG MORI LATHES NL / NLX / NT

PORTAUTENSILI RADIALI - RADIAL TOOLHOLDERS



Code	Mori Seiki code				
ART.	Cod. Mori Seiki	A	B	S	L
8M8.D40	T00185	40	20	108	150
8M8.D50	T00184	50	25	108	160

PORTAUTENSILI RADIALI - RADIAL TOOLHOLDERS

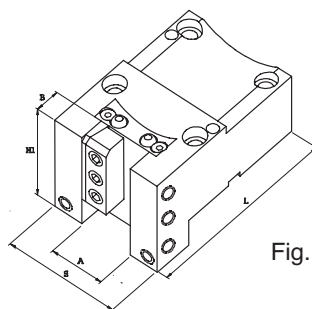
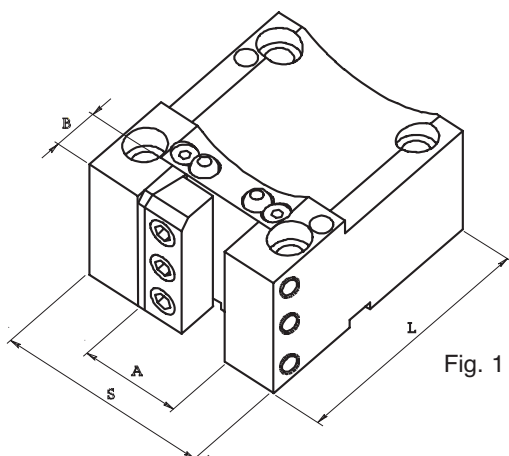
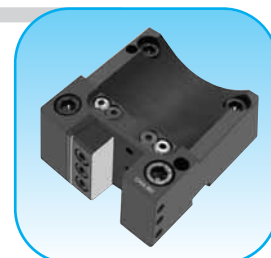
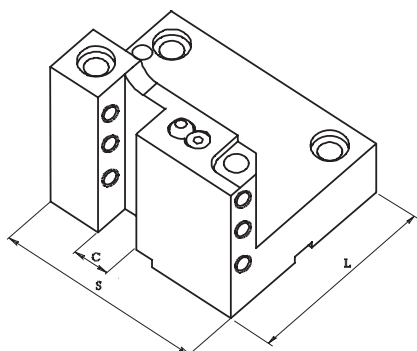


Fig. 2

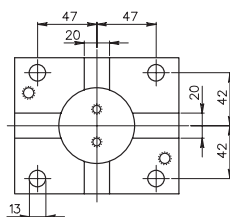
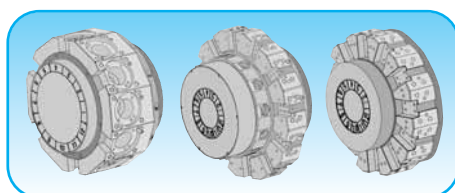


Code	Mori Seiki code						
ART.	Cod. Mori Seiki	A	B	S	L	H1	Fig.
8M8.V40	T00187	40	20	108	130	—	1
8M8.V50	T00186	50	25	108	130	—	1
8M8.V50 L	—	50	25	108	169	98	2

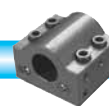
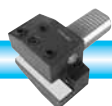
PORTAUTENSILI RADIALI - RADIAL TOOLHOLDERS



Code	Mori Seiki code			
ART.	Cod. Mori Seiki	C	S	L
8M8.B25	T00197	25	108	130



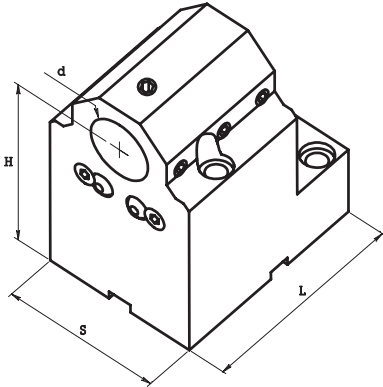
INTERASSE FORI IN PORTAUTENSILI
DISTANCE BETWEEN HOLES IN TOOLHOLDERS





TORNI DMG MORI NZ / NZX / NL / NLX / DURA TURN
DMG MORI LATHES NZ / NZX / NL / NLX / DURA TURN

PORTAUTENSILI ASSIALI - AXIAL TOOLHOLDERS

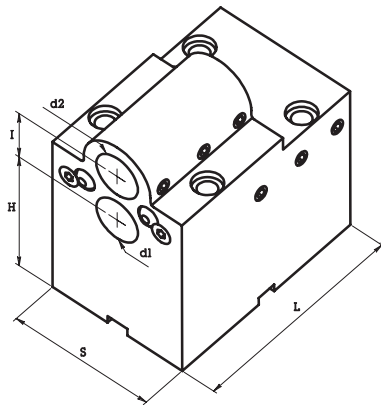


Code	Mori Seiki code				
ART.	Cod. Mori Seiki	d	H	S	L
7M5.C32	T10115	32	100	78	115
7M5.C32 R	T13132	32	100	78	115



Con passaggio liquido refrigerante esterno o interno
With inner or outer coolant feeding system

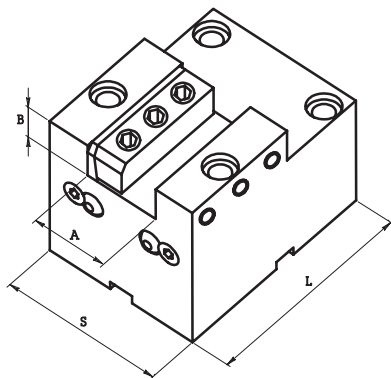
PORTAUTENSILI ASSIALI - AXIAL TOOLHOLDERS



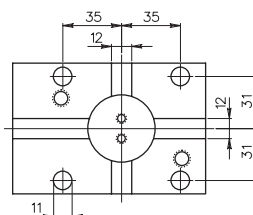
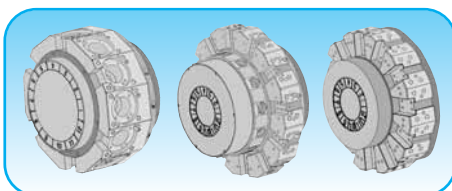
Code	Mori Seiki code					
ART.	Cod. Mori Seiki	d1-d2	H	I	S	L
7M5.D25	T10117	25	75	30	78	130

Con passaggio liquido refrigerante esterno o interno
With inner or outer coolant feeding system

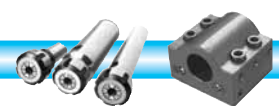
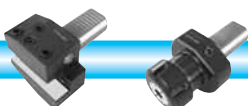
PORTAUTENSILI ASSIALI - AXIAL TOOLHOLDERS



Code	Mori Seiki code				
ART.	Cod. Mori Seiki	A	B	S	L
8M5.C40	T03017	40	20	78	115



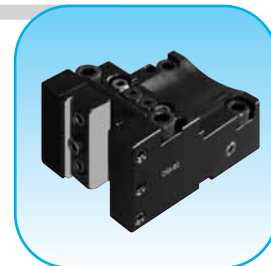
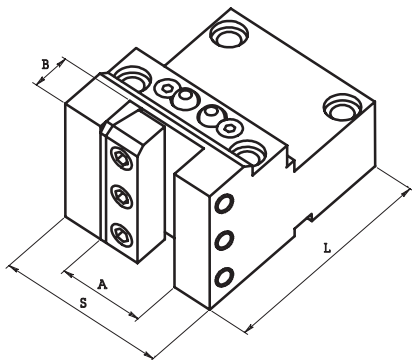
INTERASSE FORI IN PORTAUTENSILI
DISTANCE BETWEEN HOLES IN TOOLHOLDERS





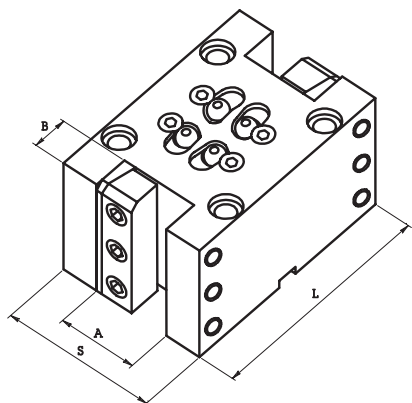
TORNI DMG MORI NZ / NZX / NL / NLX / DURA TURN
DMG MORI LATHES NZ / NZX / NL / NLX / DURA TURN

PORTAUTENSILI RADIALI - RADIAL TOOLHOLDERS



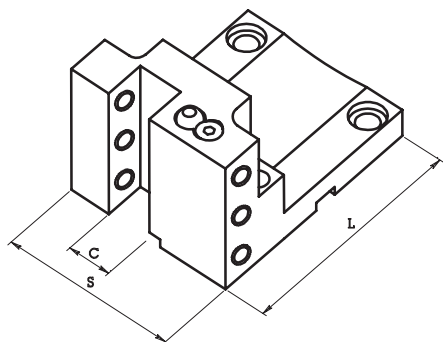
Code	Mori Seiki code				
ART.	Cod. Mori Seiki	A	B	S	L
8M5.V40	T00224	40	20	78	115
8M5.V50	T00267	50	25	100	124

PORTAUTENSILI RADIALI - RADIAL TOOLHOLDERS

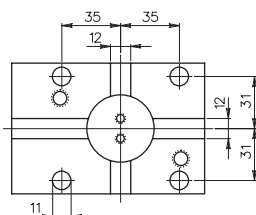
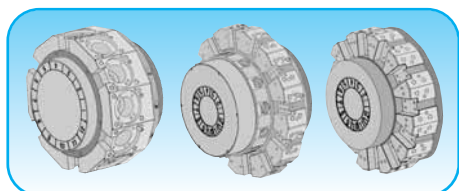


Code	Mori Seiki code				
ART.	Cod. Mori Seiki	A	B	S	L
8M5.D40	T00228	40	20	78	130

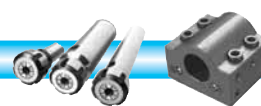
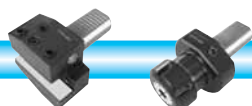
PORTAUTENSILI RADIALI - RADIAL TOOLHOLDERS



Code	Mori Seiki code			
ART.	Cod. Mori Seiki	C	S	L
8M5.B20	T00251	20	78	115



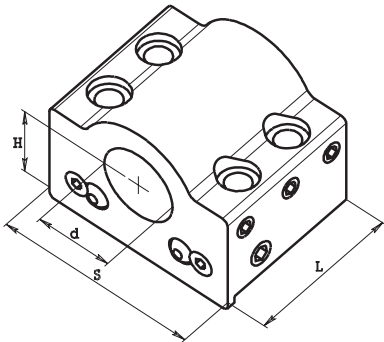
INTERASSE FORI IN PORTAUTENSILI
DISTANCE BETWEEN HOLES IN TOOLHOLDERS



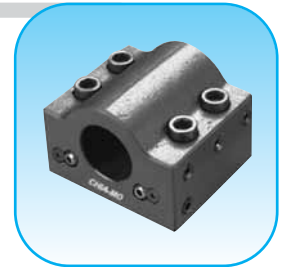


TORNI MORI SEIKI / SL / CL / ZL / DURA TURN - TORNI GOODWAY
MORI SEIKI LATHES / SL / CL / ZL / DURA TURN - GOODWAY LATHES

PORTAUTENSILI ASSIALI - AXIAL TOOLHOLDERS

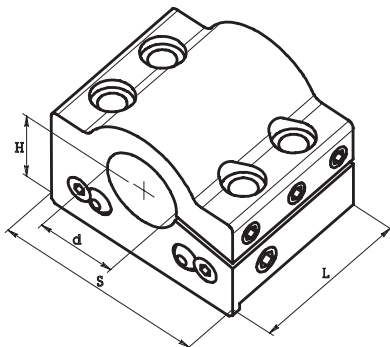


Code	Mori Seiki code					
ART.	Cod. Mori Seiki	d	H	S	L	Fig.
7M3.C32	T10046	32	35	90	79	1
7M3.C32 R	T13066	32	35	90	79	1
7M6.C40	T10036	40	40	105	90	2
7M6.C40 R	T13064	40	40	105	90	2
7M6.C50	T10044	50	40	105	90	2



Con passaggio liquido refrigerante esterno o interno
With inner or outer coolant feeding system

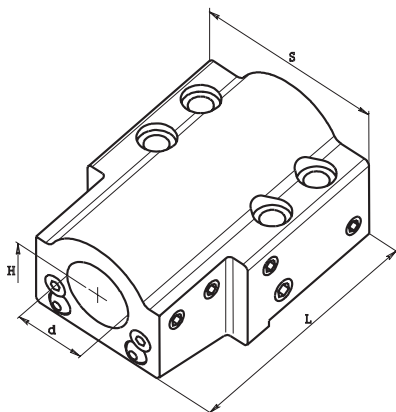
PORTAUTENSILI ASSIALI - AXIAL TOOLHOLDERS



Con passaggio liquido refrigerante esterno o interno
With inner or outer coolant feeding system

Code	Mori Seiki code					
ART.	Cod. Mori Seiki	d	H	S	L	Fig.
7M6.C25 B	—	25	40	105	90	2
7M6.C40 B	T10036	40	40	105	90	2
7M6.C50 B	T10044	50	40	105	90	2

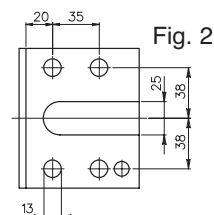
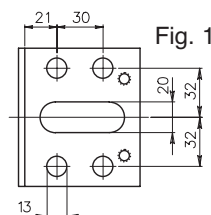
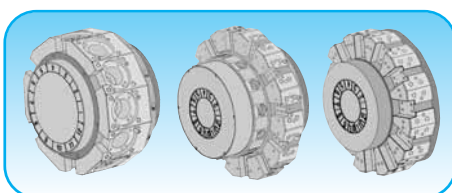
PORTAUTENSILI ASSIALI - AXIAL TOOLHOLDERS



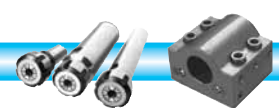
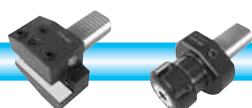
Con passaggio liquido refrigerante esterno o interno
With inner or outer coolant feeding system



Code	Mori Seiki code					
ART.	Cod. Mori Seiki	d	H	S	L	Fig.
7M3.L32	T10052	32	35	90	139	1
7M6.L40	T10038	40	40	105	160	2
7M6.L50	T10094	50	40	105	160	2



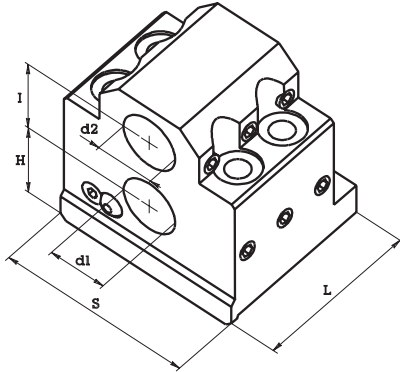
INTERASSE FORI
IN PORTAUTENSILI
DISTANCE BETWEEN HOLES
IN TOOLHOLDERS





TORNI MORI SEIKI / SL / CL / ZL / DURA TURN - TORNI GOODWAY
MORI SEIKI LATHES / SL / CL / ZL / DURA TURN - GOODWAY LATHES

PORTAUTENSILI ASSIALI - AXIAL TOOLHOLDERS

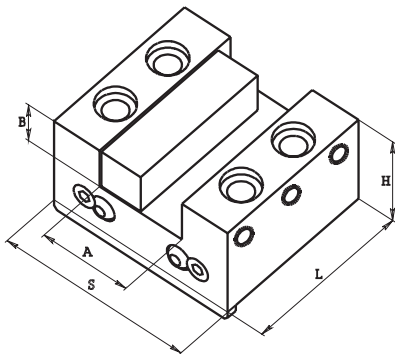


Con passaggio liquido refrigerante esterno o interno
With inner or outer coolant feeding system



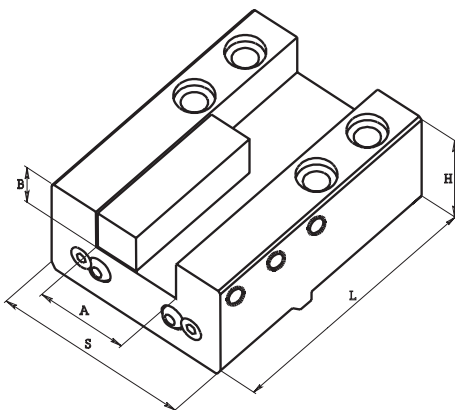
Code	Mori Seiki code						
ART.	Cod. Mori Seiki	d1-d2	H	I	S	L	Fig.
7M3.D25	T10082	25	35	40	90	79	1
7M6.D32	T10086	32	40	45	105	90	2
7M6.D32 L	T10208	32	40	45	105	125	2

PORTAUTENSILI ASSIALI - AXIAL TOOLHOLDERS

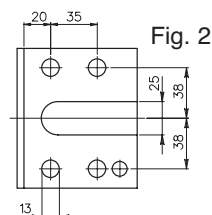
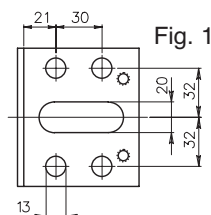
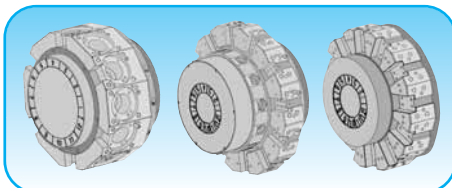


Code	Mori Seiki code						
ART.	Cod. Mori Seiki	A	B	S	L	H	Fig.
8M3.C40	T00080	40	20	90	79	45	1
8M6.C50	T00068	50	25	106	90	55	2

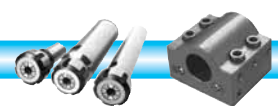
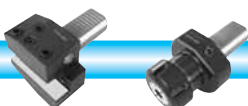
PORTAUTENSILI ASSIALI - AXIAL TOOLHOLDERS



Code	Mori Seiki code						
ART.	Cod. Mori Seiki	A	B	S	L	H	Fig.
8M3.L40	T00148	40	20	90	139	50	1
8M6.L50	T00082	50	25	106	160	60	2



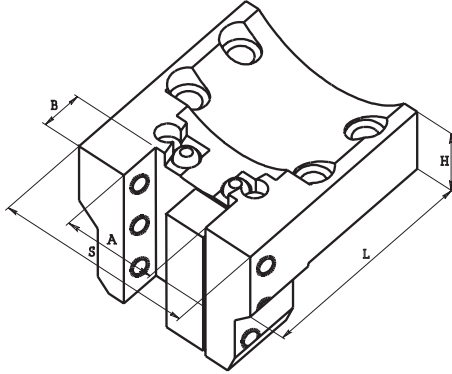
INTERASSE FORI
IN PORTAUTENSILI
DISTANCE BETWEEN HOLES
IN TOOLHOLDERS





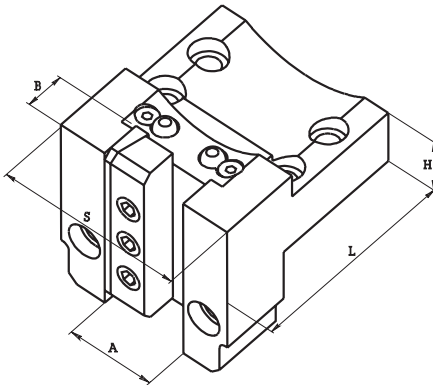
TORNI MORI SEIKI / SL / CL / ZL / DURA TURN - TORNI GOODWAY
MORI SEIKI LATHES / SL / CL / ZL / DURA TURN - GOODWAY LATHES

PORTAUTENSILI RADIALI - RADIAL TOOLHOLDERS



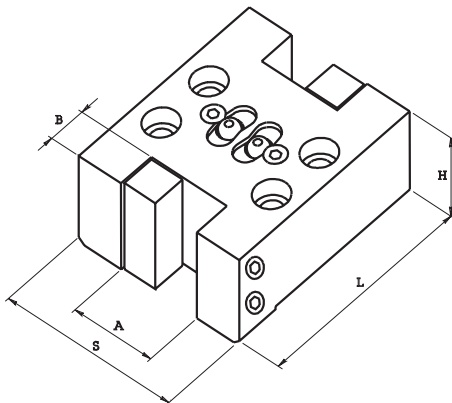
Code	Mori Seiki code						
ART.	Cod. Mori Seiki	A	B	S	L	H	Fig.
8M3.V40	T00146	40	20	90	115	35	1
8M6.V50	T00074	50	25	106	130	40	2
8M6.V50 L	T00076	50	25	106	155	40	2

PORTAUTENSILI RADIALI - RADIAL TOOLHOLDERS

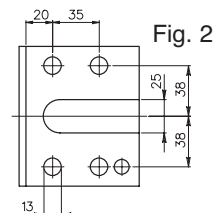
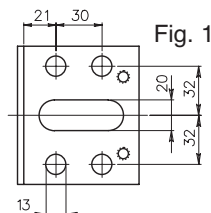
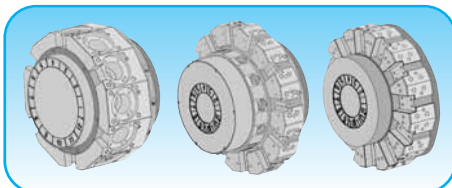


Code	Mori Seiki code						
ART.	Cod. Mori Seiki	A	B	S	L	H	Fig.
8M3.T40	T00078	40	20	90	115	45	1
8M6.T50	T00162	50	25	106	130	35	2
8M6.T50 L	T00164	50	25	106	160	35	2

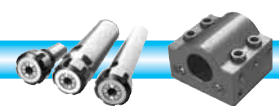
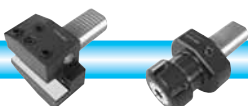
PORTAUTENSILI RADIALI - RADIAL TOOLHOLDERS



Code	Mori Seiki code						
ART.	Cod. Mori Seiki	A	B	S	L	H	Fig.
8M3.D40	T00108	40	20	90	120	50	1
8M6.D50	T00158	50	25	106	141	60	2



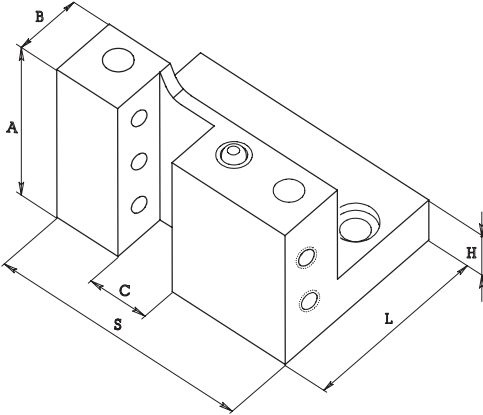
INTERASSE FORI
IN PORTAUTENSILI
DISTANCE BETWEEN HOLES
IN TOOLHOLDERS





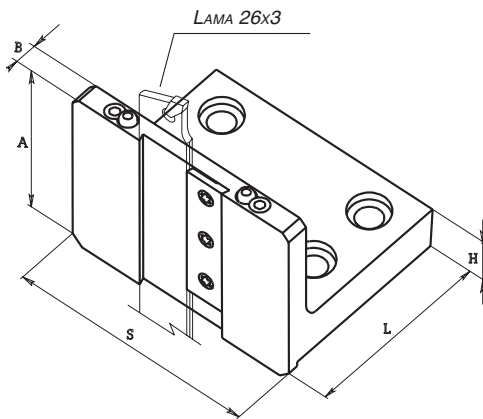
TORNI MORI SEIKI / SL / CL / ZL / DURA TURN - TORNI GOODWAY
MORI SEIKI LATHES / SL / CL / ZL / DURA TURN - GOODWAY LATHES

PORTAUTENSILI RADIALI - RADIAL TOOLHOLDERS



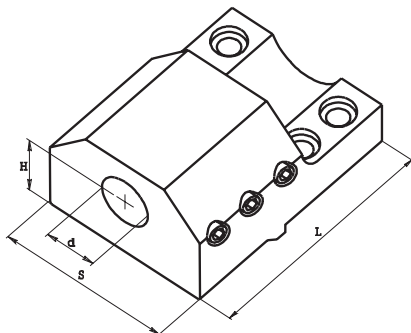
Code	Mori Seiki code							Cut	
ART.	Cod. Mori Seiki	A	B	C	S	L	H	Taglio	Fig.
8M3.B20	T00134	68	31	20	90	75	21	Dx	1
8M6.B25	T00156	78	31	25	106	85	21	Dx	2

PORTAUTENSILI RADIALI - RADIAL TOOLHOLDERS



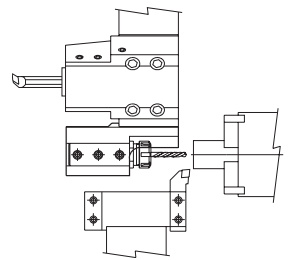
Code	Mori Seiki code							Cut	
ART.	Cod. Mori Seiki	A	B	C	S	L	H	Taglio	Fig.
8M6.B26	—	75	11	—	106	90	21	Dx-Sx	2

PORTAUTENSILI ASSIALI - AXIAL TOOLHOLDERS



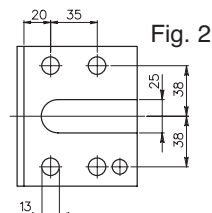
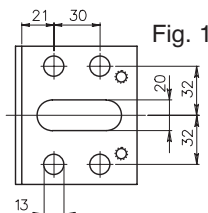
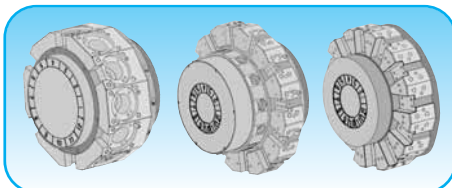
Questo portautensile permette di ridurre lo spazio di ingombro degli utensili (punte, bareni) nelle lavorazioni di ripresa sul contromandrino

This toolholder allows to reduce the obstruction of tools in turning on in second spindle head

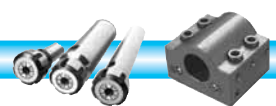
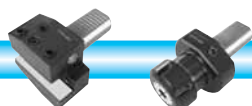


Con passaggio liquido refrigerante esterno o interno
With inner or outer coolant feeding system

Code	Mori Seiki code								
ART.	Cod. Mori Seiki	d	H	S	L	Fig.			
7M3.S25	—	25	35	90	139	1			
7M3.S32 H50	—	32	50	90	79	1			
7M6.S32	—	32	40	105	160	2			



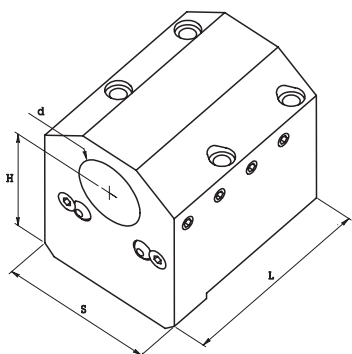
INTERASSE FORI
IN PORTAUTENSILI
DISTANCE BETWEEN HOLES
IN TOOLHOLDERS



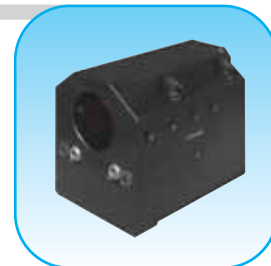


TORNI DOOSAN Tipo BMT
DOOSAN LATHES

PORTAUTENSILI ASSIALI - AXIAL TOOLHOLDERS

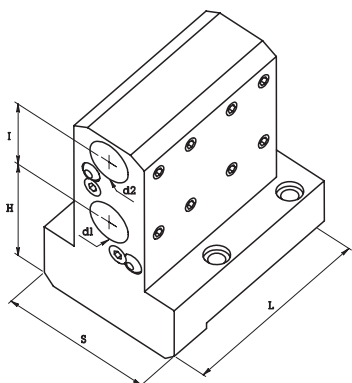


Con passaggio liquido refrigerante esterno o interno
With inner or outer coolant feeding system

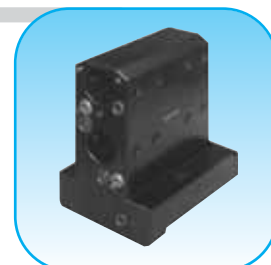


Code	Type	Doosan code						
ART.	Tipo	Cod. Doosan	d	H	S	L	Fig.	
7D6.C40	BMT 55	L61590327D	40	70	85	120	1	
7D7.C40	BMT 65	-	40	72	95	110	2	
7D8.C60	BMT 75	-	60	60	112	165	3	

PORTAUTENSILI ASSIALI - AXIAL TOOLHOLDERS

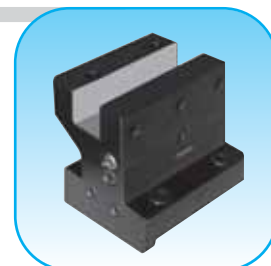
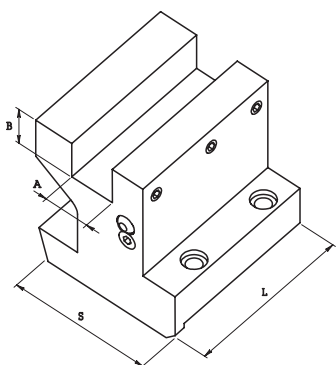


Con passaggio liquido refrigerante esterno o interno
With inner or outer coolant feeding system



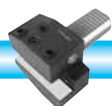
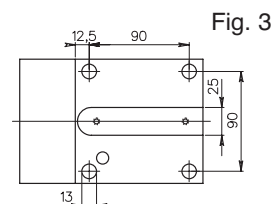
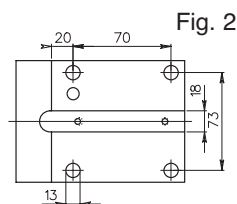
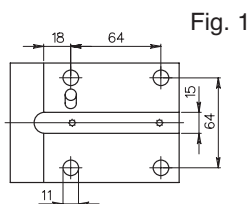
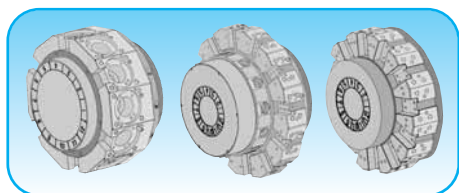
Code	Type	Doosan code						
ART.	Tipo	Cod. Doosan	d1-d2	H	I	S	L	Fig.
7D6.D25	BMT 55	L61590357D	25	70	45	85	126	1
7D7.D32	BMT 65	-	32	85	45	95	130	2

PORTAUTENSILI ASSIALI - AXIAL TOOLHOLDERS



Code	Type	Doosan code						
ART.	Tipo	Cod. Doosan	A	B	S	L	Fig.	
8D6.C25	BMT 55	L31560537C	26,5	25	91	105	1	

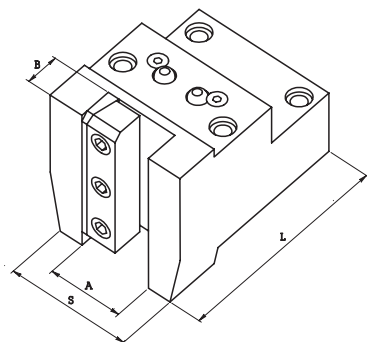
INTERASSE FORI IN PORTAUTENSILI *DISTANCE BETWEEN HOLES IN TOOLHOLDERS*





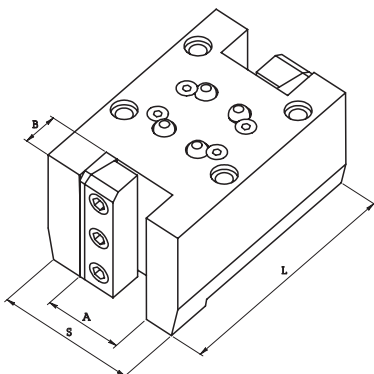
TORNI DOOSAN Tipo BMT
DOOSAN LATHES

PORTAUTENSILI RADIALI - RADIAL TOOLHOLDERS



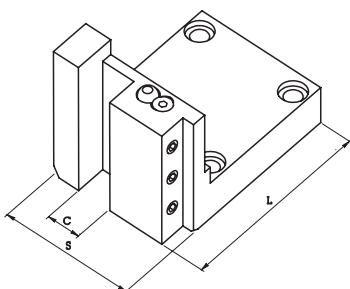
Code	Type	Doosan code					
ART.	Tipo	Cod. Doosan	A	B	S	L	Fig.
8D6.V50	BMT 55	L31560517B	50	25	97	126	1
8D7.V50	BMT 65	-	50	25	95	120	2
8D8.V50	BMT 75	-	50	25	112	165	3

PORTAUTENSILI RADIALI - RADIAL TOOLHOLDERS



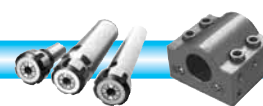
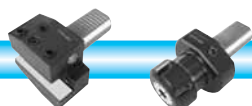
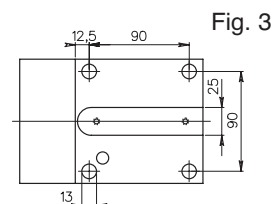
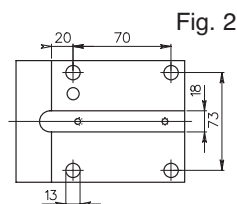
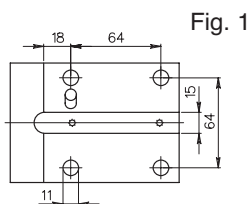
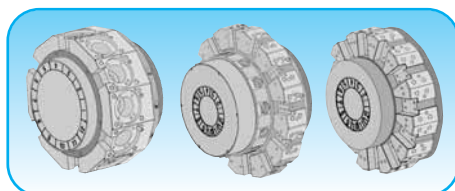
Code	Type	Doosan code					
ART.	Tipo	Cod. Doosan	A	B	S	L	Fig.
8D6.D50	BMT 55	L61590347A	50	25	97	148	1
8D7.D50	BMT 65	-	50	25	95	142	2

PORTAUTENSILI RADIALI - RADIAL TOOLHOLDERS



Code	Type	Doosan code				
ART.	Tipo	Cod. Doosan	C	S	L	Fig.
8D6.B25	BMT 55	L61590367C	25	97	130	1

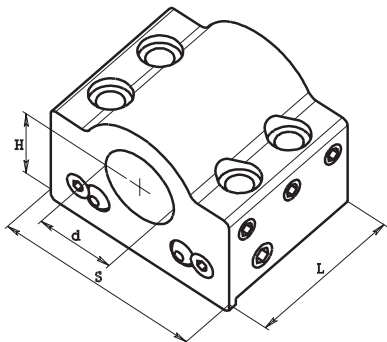
INTERASSE FORI IN PORTAUTENSILI **DISTANCE BETWEEN HOLES IN TOOLHOLDERS**



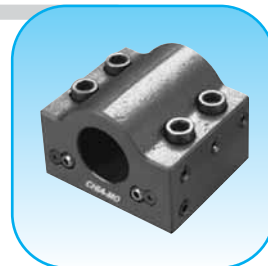


TORNI CMZ
CMZ LATHES

PORTAUTENSILI ASSIALI - AXIAL TOOLHOLDERS

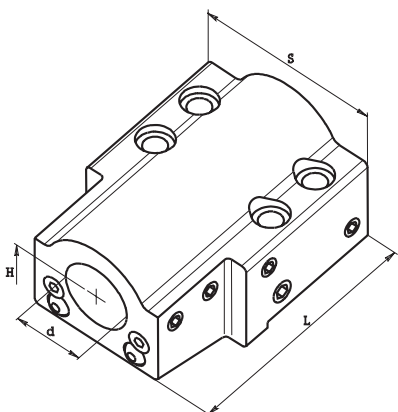


Con passaggio liquido refrigerante esterno o interno
With inner or outer coolant feeding system



Code	CMZ code					
ART.	Cod. CMZ	d	H	S	L	Fig.
7C3.C40	TL15/10000/09	40	40	90	80	1
7C6.C40	TL20/10000/09	40	40	105	90	2
7C6.C40 R	TL20/10000/12	40	40	105	90	2
7C6.C50	TL20/10000/40	50	40	105	90	2

PORTAUTENSILI ASSIALI - AXIAL TOOLHOLDERS

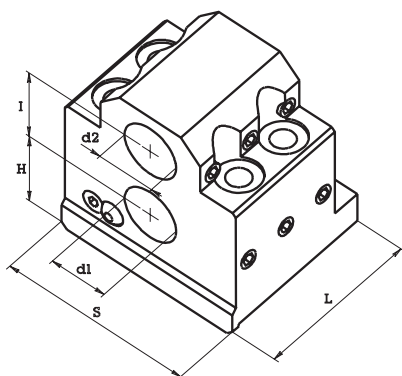


Con passaggio liquido refrigerante esterno o interno
With inner or outer coolant feeding system



Code	CMZ code					
ART.	Cod. CMZ	d	H	S	L	Fig.
7C3.L40	TL15/10000/10	40	40	90	135	1
7C6.L40	TL20/10000/10	40	40	105	160	2
7C6.L50	TL20/10000/39	50	40	105	160	2

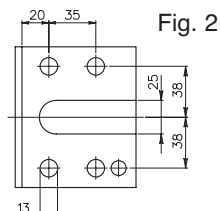
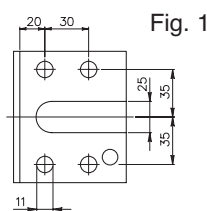
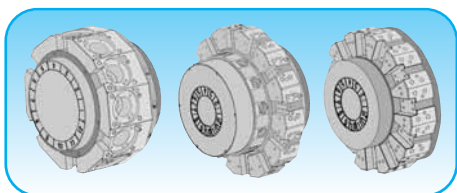
PORTAUTENSILI ASSIALI - AXIAL TOOLHOLDERS



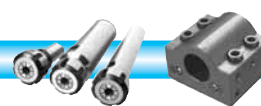
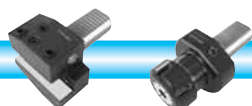
Con passaggio liquido refrigerante esterno o interno
With inner or outer coolant feeding system



Code	Doosan code					
ART.	Cod. CMZ	d1-d2	H	I	S	L
7C3.D25	TL15/10000/11	25	40	35	90	75
7C6.D32	TL20/10000/11	32	40	42	105	90



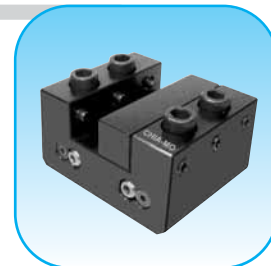
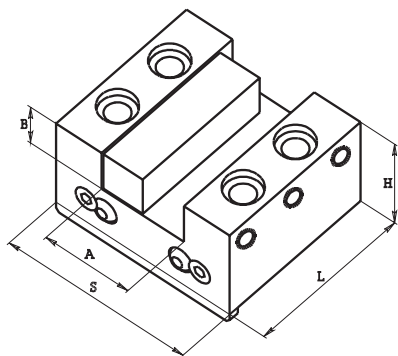
INTERASSE FORI
IN PORTAUTENSILI
DISTANCE BETWEEN HOLES
IN TOOLHOLDERS





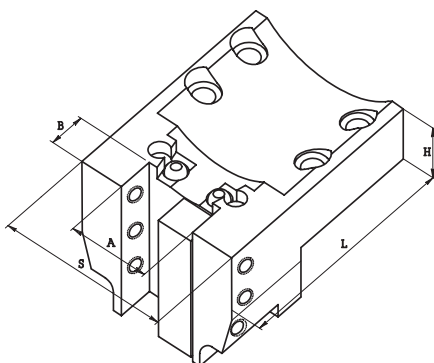
TORNI CMZ
CMZ LATHES

PORTAUTENSILI ASSIALI - AXIAL TOOLHOLDERS



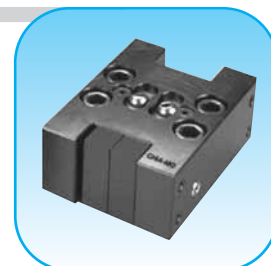
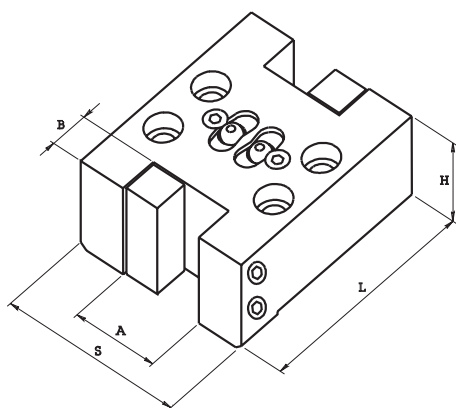
Code	CMZ code						
ART.	Cod. CMZ	A	B	S	L	H	Fig.
8C3.C40	TL15/10000/08	40	20	90	75	50	1
8C6.C50	TL20/10000/08	50	25	106	90	55	2

PORTAUTENSILI RADIALI - RADIAL TOOLHOLDERS

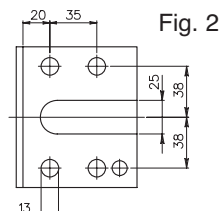
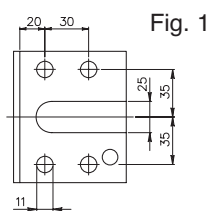
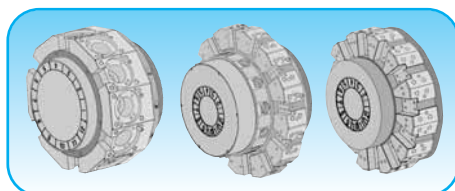


Code	CMZ code						
ART.	Cod. CMZ	A	B	S	L	H	Fig.
8C3.V40	TL15/10000/45	40	20	90	155	44	1
8C6.V50 L	TL20/10000/45	50	25	102	165	44	2

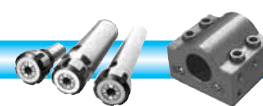
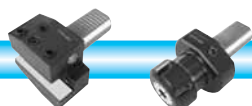
PORTAUTENSILI RADIALI - RADIAL TOOLHOLDERS



Code	CMZ code						
ART.	Cod. CMZ	A	B	S	L	H	Fig.
8C3.D40	TL15/10000/07	40	20	90	120	50	1
8C6.D50	TL20/10000/07	50	25	106	141	60	2



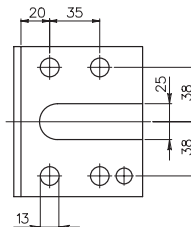
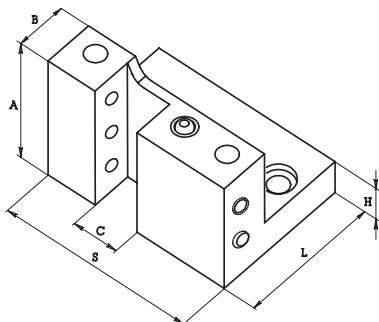
INTERASSE FORI
IN PORTAUTENSILI
DISTANCE BETWEEN HOLES
IN TOOLHOLDERS





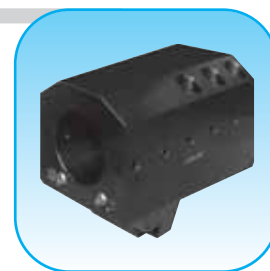
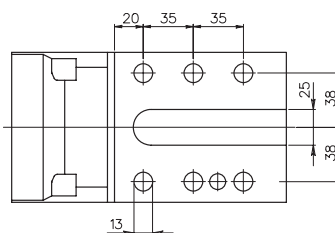
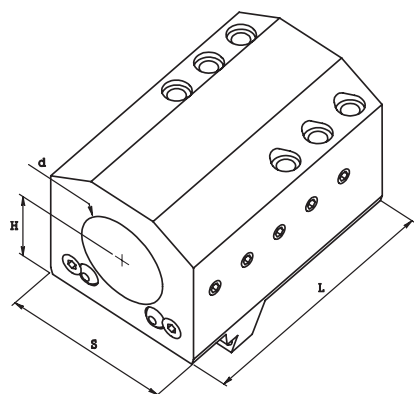
TORNI CMZ
CMZ LATHES

PORTAUTENSILI RADIALI - RADIAL TOOLHOLDERS



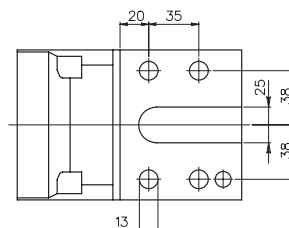
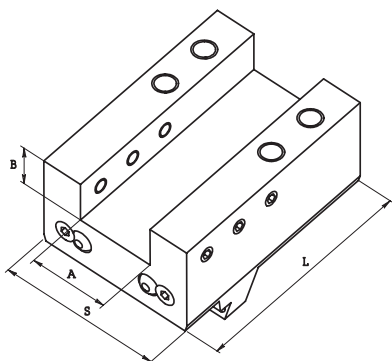
Code	CMZ code							Cut
ART.	Cod. CMZ	A	B	C	S	L	H	Taglio
8C6.B25	-	78	31	25	106	85	21	Dx

PORTAUTENSILI ASSIALI - AXIAL TOOLHOLDERS

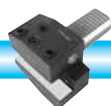


Code	CMZ code				
ART.	Cod. CMZ	d	H	S	L
7C8.L60	TC35/10000/54	60	50	106	180

PORTAUTENSILI ASSIALI - AXIAL TOOLHOLDERS



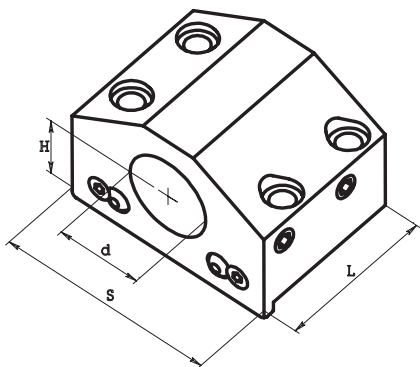
Code	CMZ code				
ART.	Cod. CMZ	A	B	S	L
8C8.L50	TC35/10000/57	50	25	106	165





TORNI OKUMA LB15 / 25 / 300 - TORNI HAAS SL 20 / 30
OKUMA LATHES LB15 / 25 / 300 - HAAS LATHES SL 20 / 30

PORTAUTENSILI ASSIALI - AXIAL TOOLHOLDERS

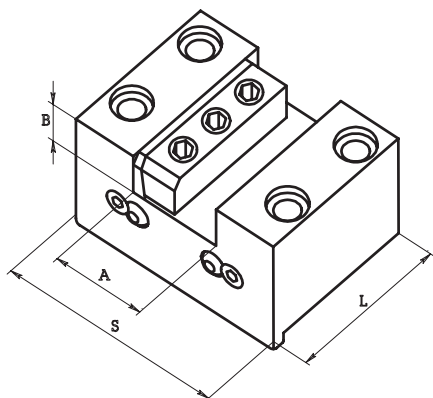


Con passaggio liquido refrigerante esterno o interno
With inner or outer coolant feeding system



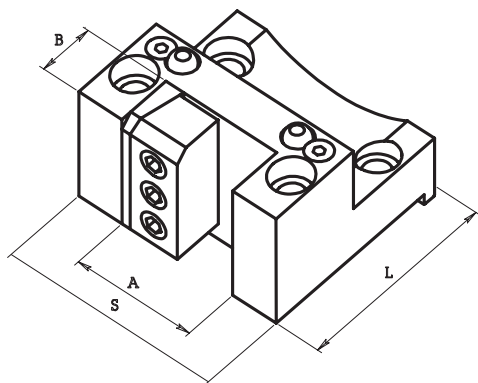
Code	HAAS code				
ART.	Cod. HAAS	d	H	S	L
7H6.C32	BOT20MID	32	31.75	101.5	82.5
7H6.C40	BOT20MID	40	31.75	101.5	82.5

PORTAUTENSILI ASSIALI - AXIAL TOOLHOLDERS

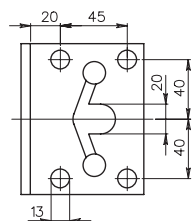
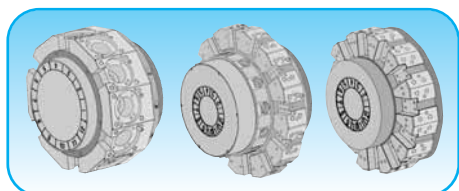


Code	HAAS code				
ART.	Cod. HAAS	A	B	S	L
8H6.C50	BOT20MFG	50	25	101.5	82.5

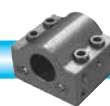
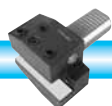
PORTAUTENSILI RADIALI - RADIAL TOOLHOLDERS



Code	HAAS code				
ART.	Cod. HAAS	A	B	S	L
8H6.V50	BOT20MOD	50	25	101.5	92



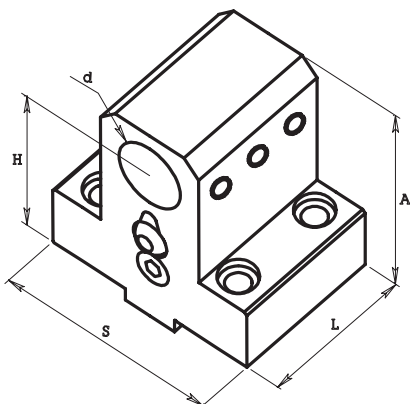
INTERASSE FORI IN PORTAUTENSILI
DISTANCE BETWEEN HOLES IN TOOLHOLDERS



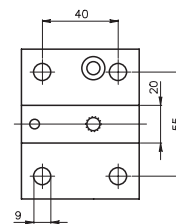


TORNI NAKAMURA TOME WT100 - TORNI GOODWAY
NAKAMURA TOME WT100 - GOODWAY LATHES

PORTAUTENSILI ASSIALI - AXIAL TOOLHOLDERS



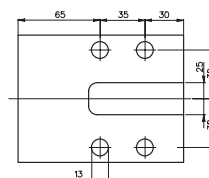
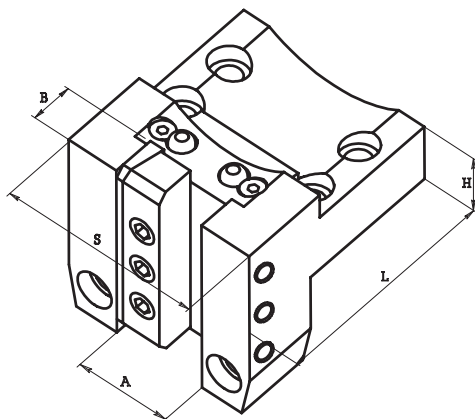
Con passaggio liquido refrigerante esterno o interno
With inner or outer coolant feeding system



Code					
ART.	d	H	S	L	A
7G3.C25 60	25	60.2	79	62	78.7
7G3.C32 60	32	60.2	79	62	82.7

TORNI GOODWAY
GOODWAY LATHES

PORTAUTENSILI RADIALI - RADIAL TOOLHOLDERS



Code					
ART.	A	B	S	L	H
8G6.T50	50	25	100	130	40

TORNI MURATA - TORNI GOODWAY - TONG TAI TNL 150
MURATA LATHES - GOODWAY LATHES - TONG TAI TNL 150 LATHES

PORTAUTENSILI ASSIALI - AXIAL TOOLHOLDERS

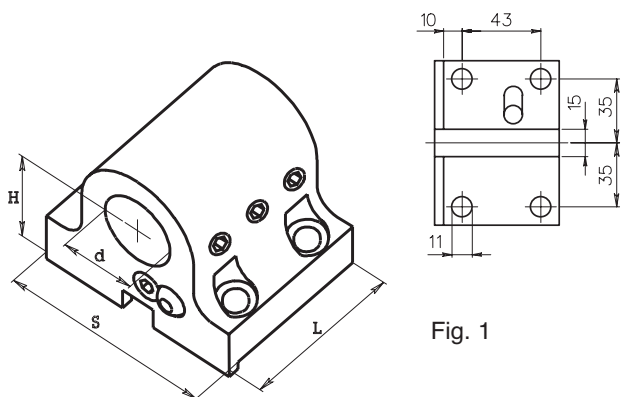


Fig. 1

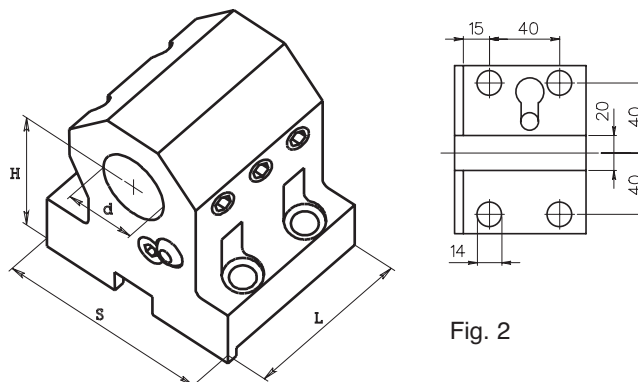
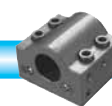
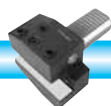


Fig. 2

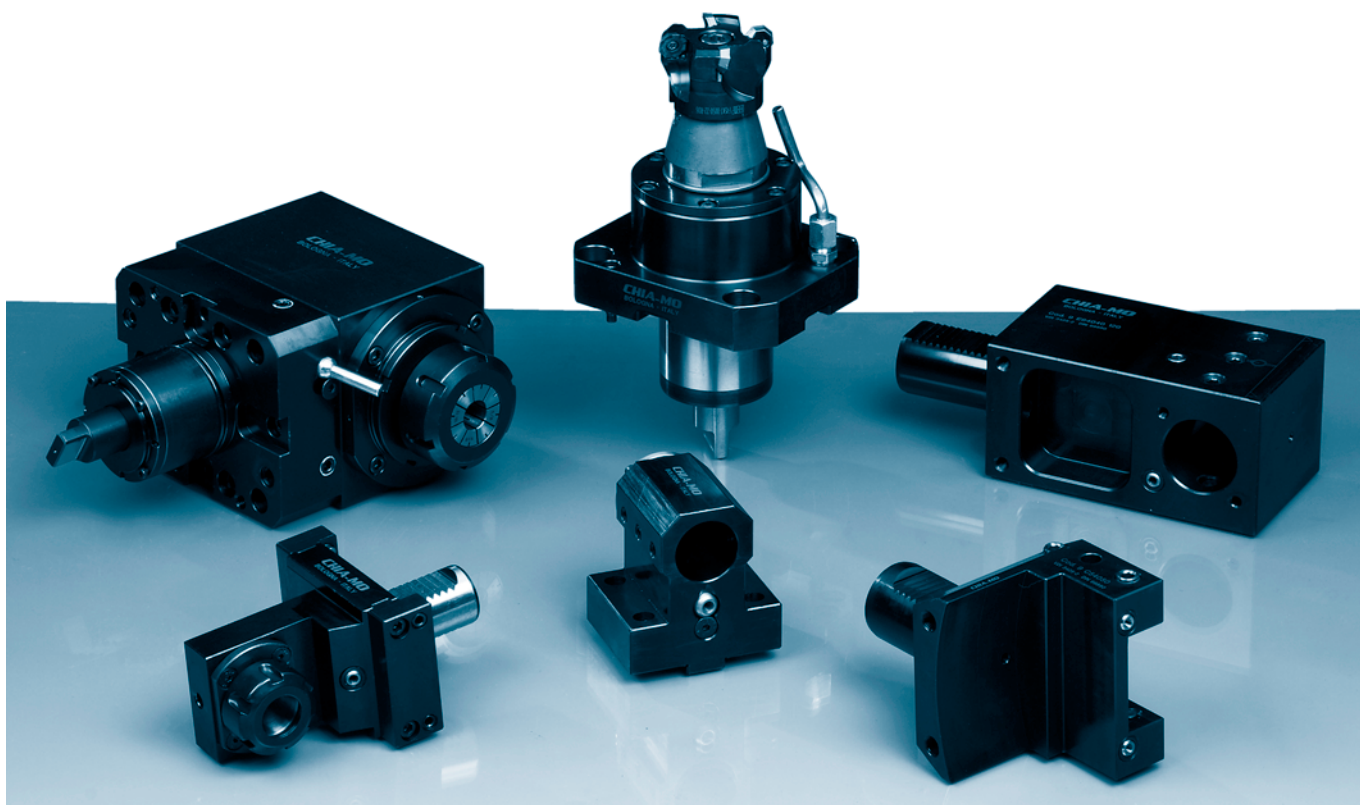
Con passaggio liquido refrigerante esterno o interno
With inner or outer coolant feeding system

Code					
ART.	d	H	S	L	Fig.
7T3.C32	32	45	90	68	1
7T5.C32	32	65	96	75	2
7T5.C40	40	65	96	75	2



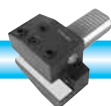


PORTAUTENSILI PER TORNI SU RICHIESTA
LATHE TOOLHOLDERS ON REQUEST



OLTRE ALLA SERIE DI PORTAUTENSILI “STANDARD” DISPONIBILI A MAGAZZINO, LA CHIA-MO È SPECIALIZZATA NELLA REALIZZAZIONE, CON PRODUZIONI SPECIALI ESEGUITE IN MODO TEMPESTIVO E AFFIDABILE, DI PORTAUTENSILI “SU RICHIESTA” PER RISOLVERE LE SPECIFICHE PROBLEMATICHE DEL CLIENTE.

TOGETHER WITH THE SERIES OF “STANDARD” TOOL HOLDERS AVAILABLE FROM STOCK, CHIA-MO IS ALSO SPECIALISED IN THE PRODUCTION, WITH SPECIAL PRODUCTS MADE PROMPTLY AND RELIABLY, OF “CUSTOMISED” TOOL HOLDERS TO RESOLVE SPECIFIC PROBLEMS OF THE CUSTOMER.



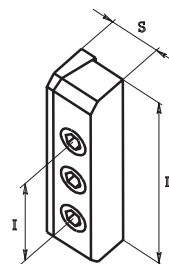


ACCESSORI PER PORTA UTENSILI

ACCESSORIES FOR TOOLHOLDERS

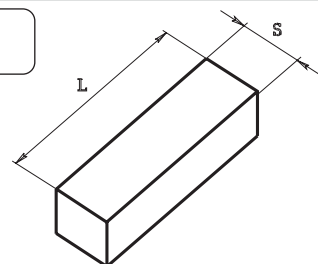
TASSELLO PER FISSAGGIO UTENSILI IN TORRETTE ED IN PORTAUTENSILI
LOCKING BLOCKS FOR TOOL FASTENING IN TURRETS AND TOOLHOLDERS

Code				for toolholders
ART.	S	L	I	Per portautensili
999.005	25	109	50	8M6.T50 - 8M6T50 L
999.013	25	70	40	8M8.V50 - 8M8.C50 - 8M8.D50
999.013 H	25	48	29	7H6.C32 - 7H6.C40 - 8H6.C50
999.017	20	63	36	8M8.V40 - 8M8.C40 - 8M8.D40
999.024	25	64	40	8D6.V50 - 8D6.D50



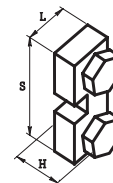
TASSELLO PER FISSAGGIO UTENSILI IN PORTAUTENSILI
LOCKING BLOCKS FOR TOOL FASTENING IN TOOLHOLDERS

Code				for toolholders
ART.	S	L	Per portautensili	
999.010	18	50	8M3.D40 - 8M8.D40	
999.009	18	79	8M3.C40 - 8M3.L40 - 8M8.C40	
999.008	24	60	8M6.D50 - 8M8.D50 - 8M8.V50	
999.004	24	90	8M6.C50 - 8M6.L50 - 8M6.V50 - 8M6.V50 L - 8M8.V50 L	



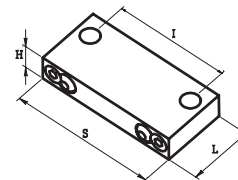
PIASTRINO PER FISSAGGIO UTENSILI
TOOL LOCKING BLOCKS

Code	HAAS code			
ART.	Cod. HAAS	S	L	H
999.020	BOT20MOD/C	68	25	25



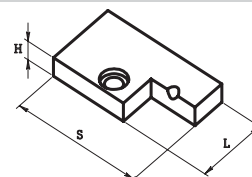
BLOCCHETTO PER ADDUZIONE REFRIGERANTE
COOLANT PLATE

Code	HAAS code				
ART.	Cod. HAAS	S	L	H	I
999.018 B	CB10	88	45	16.5	70



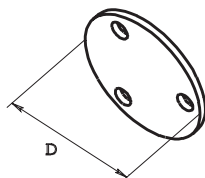
PIASTRINO PER DEVIAZIONE REFRIGERANTE
COOLANT DEVIATION PLATE

Code	Mori Seiki code			
ART.	Cod. Mori Seiki	S	L	H
999.018	B52059	65	40	12



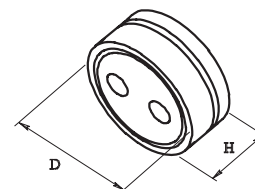
TAPPI PER REFRIGERAZIONE INTERNA
RING FOR INNER COOLANT FEEDING SYSTEM

Code	for hole	
ART.	D	Per foro
999.012	40	25
999.001	48	32
999.002	60	40
999.007	70	50



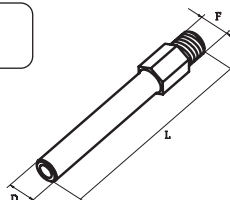
TAPPI PER PORTAUTENSILI
RING FOR TOOLHOLDERS

Code		
ART.	D	H
999.016	60	25
999.016 B	40	25



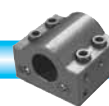
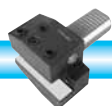
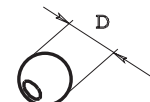
TUBINO IN RAME PER REFRIGERANTE
COPPER COOLANT PIPE

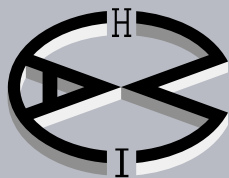
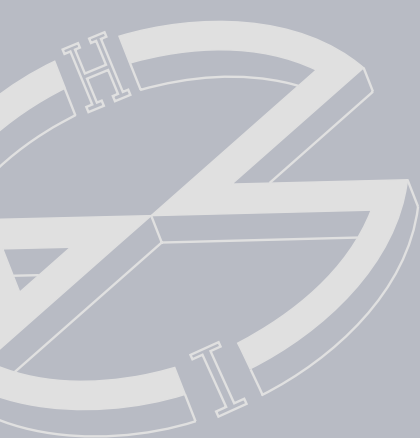
Code				Connection
ART.	D	L	F	Raccordo
999.015	6	100	1/8	DIRITTO (Straight)
999.015 B	6	100	1/8	90°



SFERE PER ORIENTAMENTO REFRIGERAZIONE
COOLING DIRECTION BALLS

Code		
ART.	D	
999.003	14	





CHIA-MO



DOVE SIAMO WHERE WE ARE



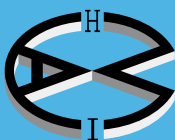
CHIA-MO

Via Caduti di Sabbiuno, 12

40011 Anzola dell'Emilia (Bologna) Italy

Tel. +39 051 734153 - Fax +39 051 734958

info@chiamo.it - www.chiamo.it



CHIA-MO
ITALY



Via Caduti di Sabbiuono, 12
40011 Anzola dell'Emilia (Bologna) Italy
Tel. +39 051 734153 - Fax +39 051 734958
info@chiamo.it - www.chiamo.it

