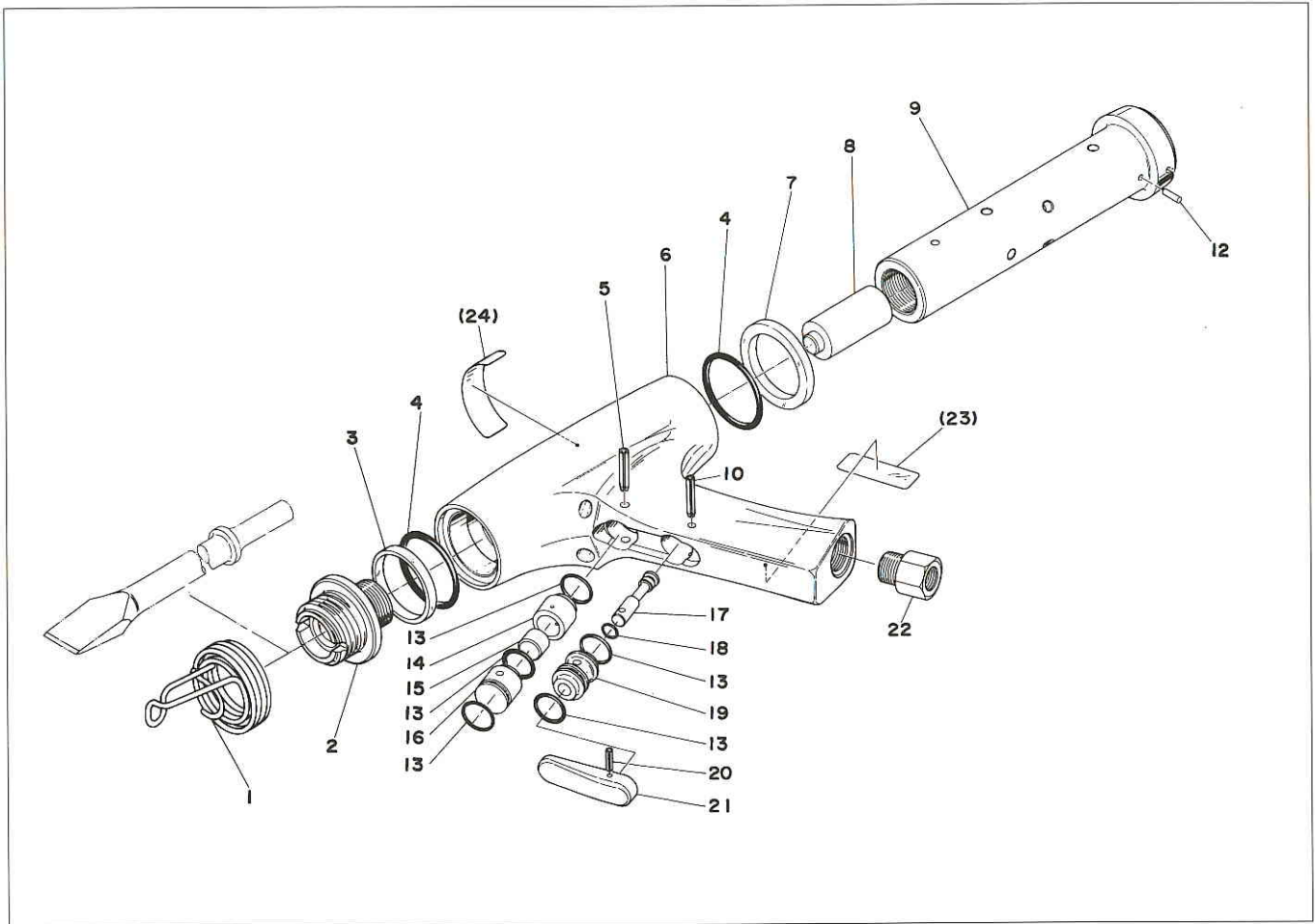


# AUTO CHISEL A-300 ASSEMBLY AND PARTS LIST



The parts numbers with ( ) are included in the Ass'y parts written above them.

No.	Part No.	Part Name	Q'ty	Price
1	TP02308	Chisel Spring	1	
2	TP02791	Chisel Guide	1	
3	TP02300	Front Cushion	1	
4	TP11995	O-Ring P-31.5	2	
5	TP08389	Spring Pin 4×24	1	
6	TB01799	Housing Sub Ass'y	1 set	
(23)	(TQ02207)	Label CE Mark	1	
(24)	(TQ02442)	Warning Label	1	
7	TP02312	Rear Cushion	1	
8	TP00597	Piston	1	
9	TA90793	Cylinder Ass'y	1 set	
10	TP00460	Spring Pin 3×22	1	
12	TP08932	Spring Pin 4×8	1	
13	TP11996	O-Ring KS-10	5	
14	TP02302	Valve Case	1	

No.	Part No.	Part Name	Q'ty	Price
15	TP02309	Spool	1	
16	TP02303	Valve Stopper	1	
17	TP02306	Throttle Valve	1	
18	TP11994	O-Ring P-4	1	
19	TP02305	Valve Guide	1	
20	TP02310	Spring Pin 3×12	1	
21	TP02304	Trigger	1	
22	TP00857	Bushing M16×PT1/4	1	

## ACCESSORIES

No.	Part No.	Part Name	Q'ty	Price
	TP02236	Bushing PT1/4×NPT1/4	1	
	TQ00649	Eye Protection	1	
	CP02961	Hose Nipple PT1/4×1/4	1	
	TQ02469	Instruction Manual	1	