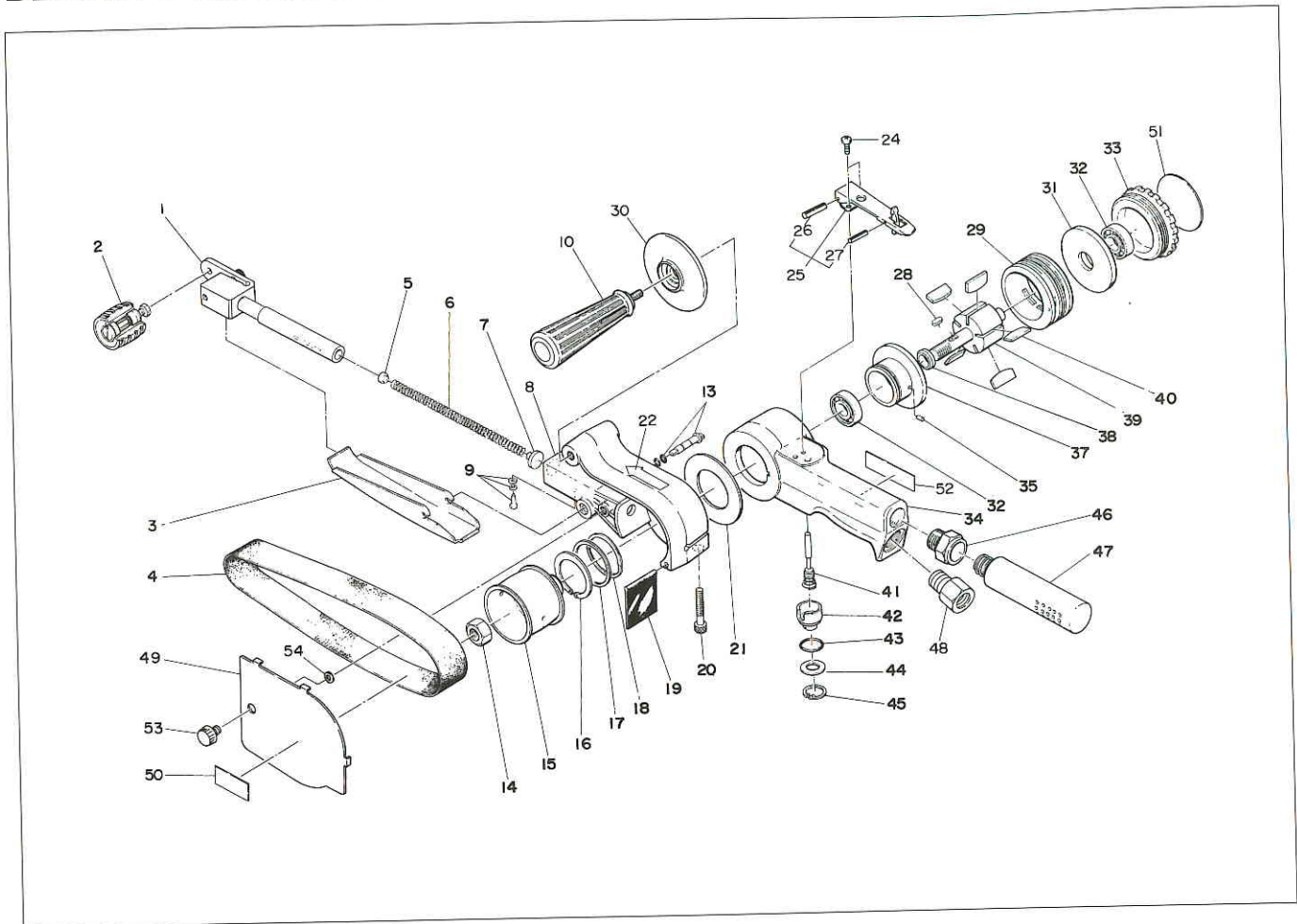


# BELTON B-30B ASSEMBLY AND PARTS LIST



The Part Numbers with ( ) are included in the Ass'y parts written above them.

No.	Part No.	Part Name	Q'ty	Price
1	TA91524	Tension Bar Ass'y	1 set	
2	TA91522	Idle Pulley Ass'y	1 set	
3	TP04052	Flat Shoe	1	
4	TQ00358	Abrasive Belt # 60×30	1	
5	TP04048	Spring Retainer A	1	
6	TP04047	Tension Spring	1	
7	TP04062	Spring Retainer B	1	
8	TB03184	Guard Body Ass'y	1 set	
22	(TP16360)	Warning Label	1	
20	(TP04073)	Hex. Socket Head Cap Screw 6×35	1	
19	(TP04060)	Dust Cover	1	
9	TA92254	Key Bolt Ass'y	1 set	
10	TA91354	Sub Handle Ass'y	1 set	
13	TA92398	Shoe Holder Ass'y	1	
14	TP04077	Hex. Nut M12	1	
15	TP04045	Drive Pulley	1	
16	TP04069	External Retaining Ring ISTW-35	1	
17	TP04044	Thrust Washer A 36.2×43×1	1	
18	TP04072	Waved Washer W-35	1	
21	TP04058	Thrust Washer B 36.2×62×1	1	
24	TP06290	Pan Head Screw 4×8	2	
25	TB01793	Throttle Lever Ass'y	1 set	
26	(TP00460)	Spring Pin 3×22	1	
27	(TP05498)	Spring Pin 2×16	1	
28	TP00502	Parallel Key Both Ends Round 4×4×9.5	1	
29	TP04031	Cylinder	1	
30	TP16126	Grip Guard	1	
31	TP04035	Upper Bearing Case	1	

No.	Part No.	Part Name	Q'ty	Price
32	TP00498	Ball Bearing 6001ZZ	2	
33	TB03177	Cap Ass'y	1 set	
51	(TQ04082)	Name Plate	1	
34	TB03186	Housing Sub Ass'y	1 set	
52	(TQ04085)	Warning Label	1	
35	TP04061	Spring Pin 3×6	1	
37	TP04034	Lower Bearing Case	1	
38	TP04036	Distance Collar	1	
39	TP04032	Rotor	1	
40	TA9A215	Blade Ass'y (5 pcs./set)	1 set	
41	TA93925	Throttle Valve Ass'y	1 set	
42	TP12405	Adjust Valve	1	
43	TP12407	O-Ring S-15	1	
44	TP12406	Spacer 10.5×17.9×1.6	1	
45	CP00987	Internal Retaining Ring C-18	1	
46	TP10005	Bushing PF 3/8	1	
47	TP96323	Silencer Sub Ass'y	1 set	
48	TB00857	Bushing M16×PT1/4	1	
49	TB03132	Belt Cover Ass'y	1 set	
50	(TQ02207)	Warning Label CE Mark	1	
53	(TQ02418)	Fixation Screw	1	
54	(TQ04426)	Nylon Washer	1	

### ACCESSORIES

	TP04004	Hex. Socket Screw Key 5	1	
	TP02236	Bushing PT1/4×NPT 3/8	1	
	TQ00358	Abrasive Belt # 60×30	1	
	TQ00359	Abrasive Belt # 80×30	1	
	TQ00360	Abrasive Belt # 100×30	1	
	TQ02585	Instruction Manual	1	