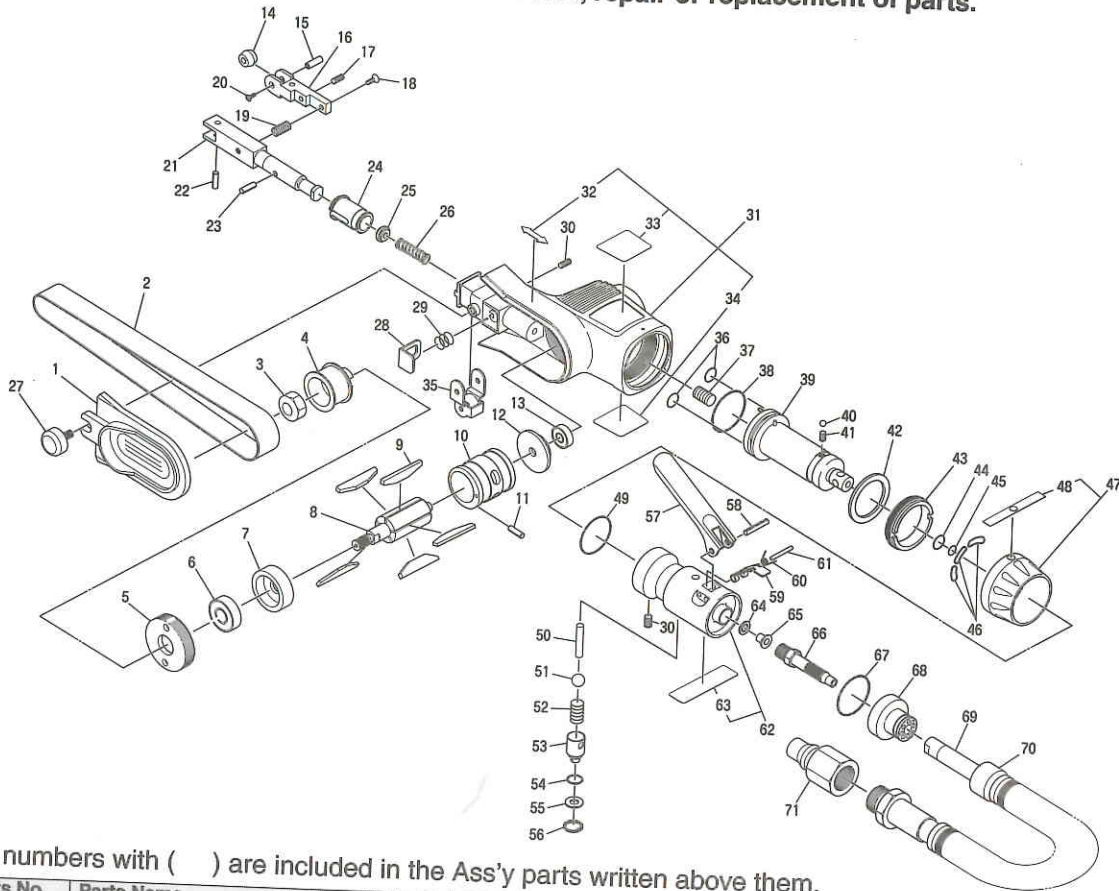


9 BB-10 ASSEMBLY AND PARTS LIST



The illustration is for information only. Users should never disassemble parts. Contact the sales agent from whom you purchased the tool or the manufacture should the tool need service, repair or replacement of parts.



The parts numbers with () are included in the Ass'y parts written above them.

No.	Parts No.	Parts Name	Q'ty	Price
1	TQ07219	Cover	1	
2		Abrasive Belt Z76 #100 x 10	1	
3	TP01924	Hex. Nut M6	1	
4	TQ07215	Drive Pulley	1	
5	TQ07216	Lock Screw	1	
6	TQ07226	Ball Bearing 698ZZ	1	
7	TQ07199	End Plate B	1	
8	TQ07196	Rotor	1	
9	TB05219	Blade Ass'y (5pcs/set)	1 set	
10	TQ07197	Cylinder	1	
11	TP04225	Spring Pin 2x4	1	
12	TQ07198	End Plate A	1	
13	TQ07225	Ball Bearing 695ZZ	1	
14	TA99155	Idle Pulley 10 Sub Ass'y	1 set	
15	TP12431	Idle Pulley Shaft 10	1	
16	TP14761	Bracket 10	1	
17	TP02154	Hex. Socket Set Screw 3x6	1	
18	TP05121	Countersunk Head Screw 3x10	1	
19	TP14763	Spring 0.9x7.5x6.5	1	
20	TP14455	Countersunk Head Screw 2x5	1	
21	TQ07203	Tension Bar	1	
22	TP14798	Spring Pin 3x10	1	
23	TQ07228	Spring Pin 3x12	1	
24	TQ07201	Guard Insert	1	
25	TQ07248	Stopper	1	
26	TQ07204	Spring 1x8.2x27.5	1	
27	TQ07220	Cover Screw	1	
28	TQ07217	Push Button	1	
29	TQ07218	Spring 0.35x7.5x7	1	
30	TQ07618	Hex. Socket Set Screw 3x3	2	
31	TB05984	Housing Ass'y	1 set	
32	(TQ07221)	Label Rotating Direction	2	
33	(TQ07222)	Label Model Number	1	
34	(TQ07767)	Label Warning	1	
35	TB05539	Offset Bracket Ass'y	1 set	
36	TQ10274	O-ring SS-050	2	
37	TP06141	Hex.Socket Set Screw 6x6	1	
38	CP27013	O-ring JASO-1025	1	
39	TB05962	Front Valve Sub Ass'y	1 set	
40	TP15767	Ball ϕ 3	1	

No.	Parts No.	Parts Name	Q'ty	Price
41	TQ10276	Spring 0.5x2.5x4.7	1	
42	TQ07208	Spacer 23x30x1.5	1	
43	TQ07209	Lock Ring	1	
44	TP14604	O-ring S-10	1	
45	TQ07356	O-ring S-6	1	
46	TQ10275	O-ring S-12	3	
47	TB05963	Valve Ring Ass'y	1 set	
48	(TQ10263)	Label Switch	1	
49	TP03988	O-ring S-20	1	
50	TQ10272	Parallel Pin 3x14	1	
51	TQ10271	Ball 1/4	1	
52	TQ10259	Valve Spring	1	
53	TQ10258	Adjust Valve	1	
54	TP12003	O-ring KS-5	1	
55	TP02152	Spacer M5	1	
56	TP17147	Internal Retaining Ring IRTW-10	1	
57	TQ10257	Throttle Lever	1	
58	TP13893	Spring Pin 3x22	1	
59	TQ10256	Lock Lever	1	
60	TQ10255	Lock Lever Spring	1	
61	TQ10269	Parallel Pin 2.5x16	1	
62	TB05987	Rear Valve Sub Ass'y	1 set	
63	(TQ10423)	Label Warning CE Mark	1	
64	TP06129	Spacer M3	1	
65	TQ10273	Hex Socket Low Head Cap Screw 3x5	1	
66	TQ07210	Hose Nipple	1	
67	TQ10280	O-ring S-22	1	
68	TQ10262	Hose Holder	1	
69	TQ04368	Charge Hose	1	
70	TQ04367	Exhaust Hose	1	
71		20PFF-PLA Ass'y(HI-Cupla)	1 set	

Standard Accessories

No.	Parts No.	Parts Name	Q'ty	Price
		HA-65SN Ass'y(HI-Cupla)	1 set	
	TP14797	Hex. Wrench Key 1.5	1	
		Abrasive Belt Z76 #120 x 10	1	
		Abrasive Belt Z76 #180 x 10	1	
		Abrasive Belt Z76 #240 x 10	1	
		Instruction Manual	1	