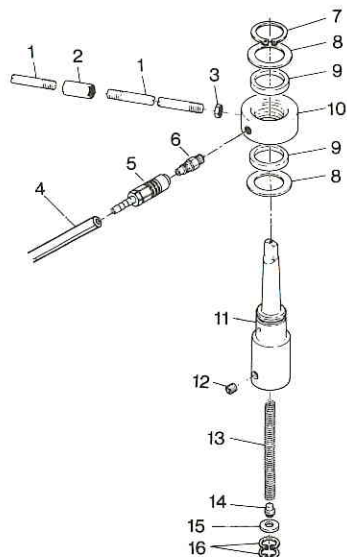


BROACH HOLDER ASSEMBLY AND PARTS LIST



The part numbers with () are included in the Ass'y parts written above them.

No.	Part No.	Part Name	Q'ty			
			BHM-02035	BHM-03050	BHM-13075	BHM-14075
1	TP15252	Oil Ring Stopper	1	2	2	2
2	TP15253	Nut 8X30		1	1	1
3	TP08584	Hexagon Nut M8	1	1	1	1
4	TP17680	Tube 8X12X1000	1	1	1	1
5	CA96877	O2SH	1	1	1	1
6	CP11569	O1PM	1	1		
7	TP15239	Retaining Ring C-28	1	1		
	TP14969	Retaining Ring ISTW-38			1	1
8	TP15240	Washer 28.5X42X1	2	2		
	TP12773	Washer 38.5X54X1			2	2
9	TP15246	Oil Seal GD28X37X4	2	2		
	TP14499	Oil Seal GD38X48X4			2	2
10	TQ00447	Oil Ring	1	1		
	TP17674	Oil Ring			1	1
11	TP15850	Holder MT02035	1			
	TP15942	Holder MT03050		1		
	TP17675	Holder MT13075			1	
	TP17681	Holder MT14075				1
12	TP16723	Hexagon Socket Set Screw 12X9.5	1	1		
	TP17679	Hexagon Socket Set Screw 16X14			2	2
13	TP15846	Spring 1.4X8.2X117	1			
	TP15943	Spring 1.6X12.8X135		1		
	TP17678	Spring 1.6X11X155			1	
	TP17685	Spring 1.8X17X115				1
14	TP15847	Pilot Spacer	1			
	TP15944	Pilot Spacer		1		
	TP17677	Pilot Spacer			1	
	TP17684	Pilot Spacer				1
15	TP15848	Spacer 9.5X18.85X5	1	1		
	TP17676	Spacer 18X31.5X6			1	
	TP17683	Spacer 16X26X9				1
16	TP13905	Retaining Ring RTW-19	2	2		
	TP07623	Retaining Ring C-32			2	
	TP17682	Retaining Ring C-26				2
	TP00170	Hexagon Wrench Key 6	1	1		
	TP03249	Hexagon Wrench Key 8			1	1
	TP15859	Pilot Pin 08035	1	1		
	TP16019	Pilot Pin 08050		Option		
	TA9A210	Pilot Pin 12075 Sub Ass'y			1set	1set