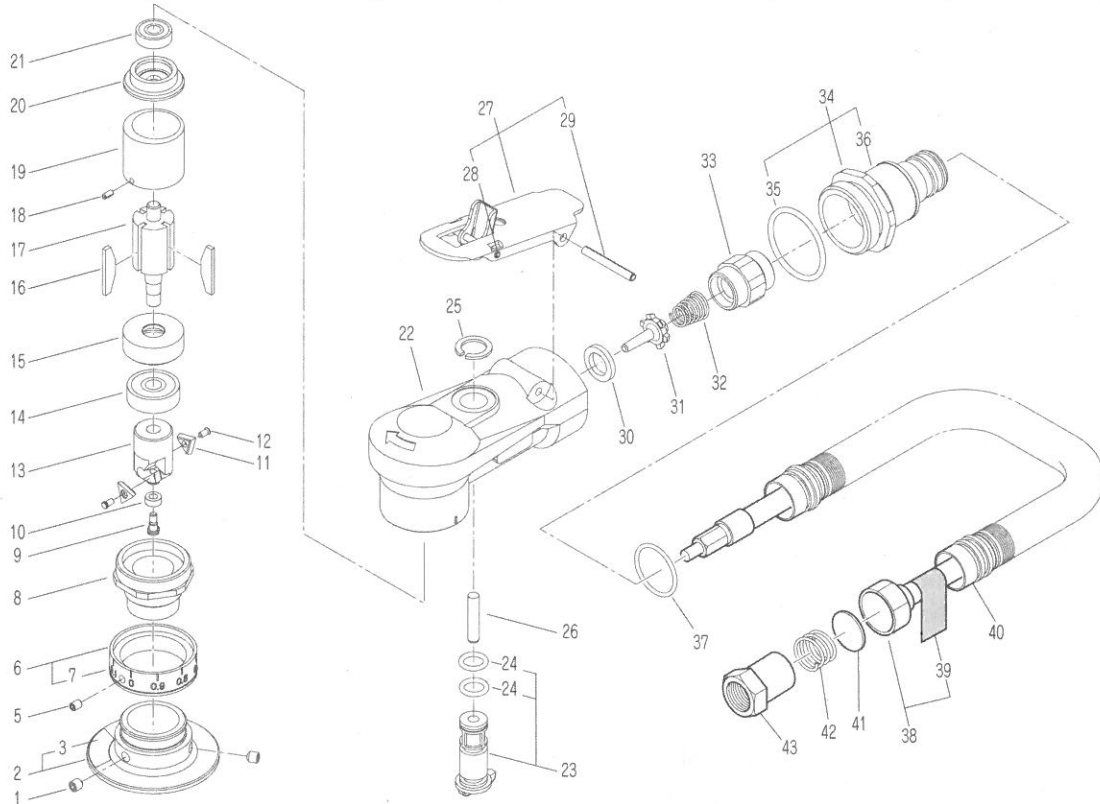


10 EXPLODED DIAGRAM : CB-01

⚠ WARNING

This diagram is for your reference only. Do not attempt to service or repair the Tool. Do not take the Tool apart. Contact an authorized Nitto dealer for all service and repair of the Tool. Improper service and repair can cause accidents and service injuries. Never attempt to modify the Tool. Never attempt service or repair the Tool yourself.



The parts numbers with () are included in the Ass'y parts written above them.

No.	Parts No.	Parts Name	Qty
1	TP15643	Hex. Socket Set Screw 4X4	2
2	TB09245	Guide Plate	1set
3	(TQ13684)	Label Caution	1
5	TQ11146	Hex. Socket Set Screw 3X4	1
6	TB09086	Scale Ring Ass'y	1set
7	(TQ13371)	Label Scale	1
8	TQ13347	Lock Screw	1
9	TQ13354	Bearing Set Screw	1
10	TQ13355	Ball Bearing 630ZZ	1
11	TQ13368	Indexable Insert	2
12	TQ13369	Indexable Insert Set Screw	2
13	TQ13350	Holder	1
14	TP15408	Ball Bearing 626ZZ	1
15	TQ13345	End Plate B	1
16	TB09122	Blade Ass'y (4pcs)	1set
17	TQ13342	Rotor	1
18	TP04225	Spring Pin 2X 4	1
19	TQ13346	Cylinder	1
20	TQ13344	End Plate A	1
21	TQ07225	Ball Bearing 695ZZ	1
22	TQ13381	Housing	1
23	TB09123	Adjust Valve Ass'y	1set
24	(TP12003)	O-ring KS-5	2
25	(TQ13374)	Retaining Ring ISTW-10	1
26	TQ13454	Parallel Pin B4X20	1

No.	Parts No.	Parts Name	Qty
27	TB09088	Lever Ass'y	1set
28	(TQ13429)	SpringPin 2.5X25	1
29	(TQ13428)	SpringPin 3X25	1
30	TQ04671	Seal Sheet 9X13.9X2	1
31	TQ04664	Valve	1
32	TQ04665	Conical Spring 0.8X6.4X11.6X21.8	1
33	TQ13352	Connection	1
34	TB09246	Hose Holder Ass'y	1set
35	(TP08812)	O-ring S-25	1
36	(TQ13683)	Label Model	1
37	CP28152	O-ring JASO-1012	1
38	TB08130	Air Hose J Ass'y	1set
39	(TQ11519)	Label Lubrication	1
40	TQ04367	Exhaust Hose	1
41	TQ13625	Filter	1
42	TQ13621	Filter Spring	1
43	TQ04709	Bushing R1/4XRc1/4	1

Accessories

No.	Parts No.	Parts Name	Qty
	TQ13369	Indexable Insert Set Screw	2
	TQ13376	SPANNER T-6F	1
	TP13892	Hex. Socket Screw Key 2	1
	TP02236	Bushing PT1/4 XNPT1/4	1
	TQ13632	Instruction Manual	1