

CE

N40AV • N40A

PIPE THREADING MACHINE

Parts List



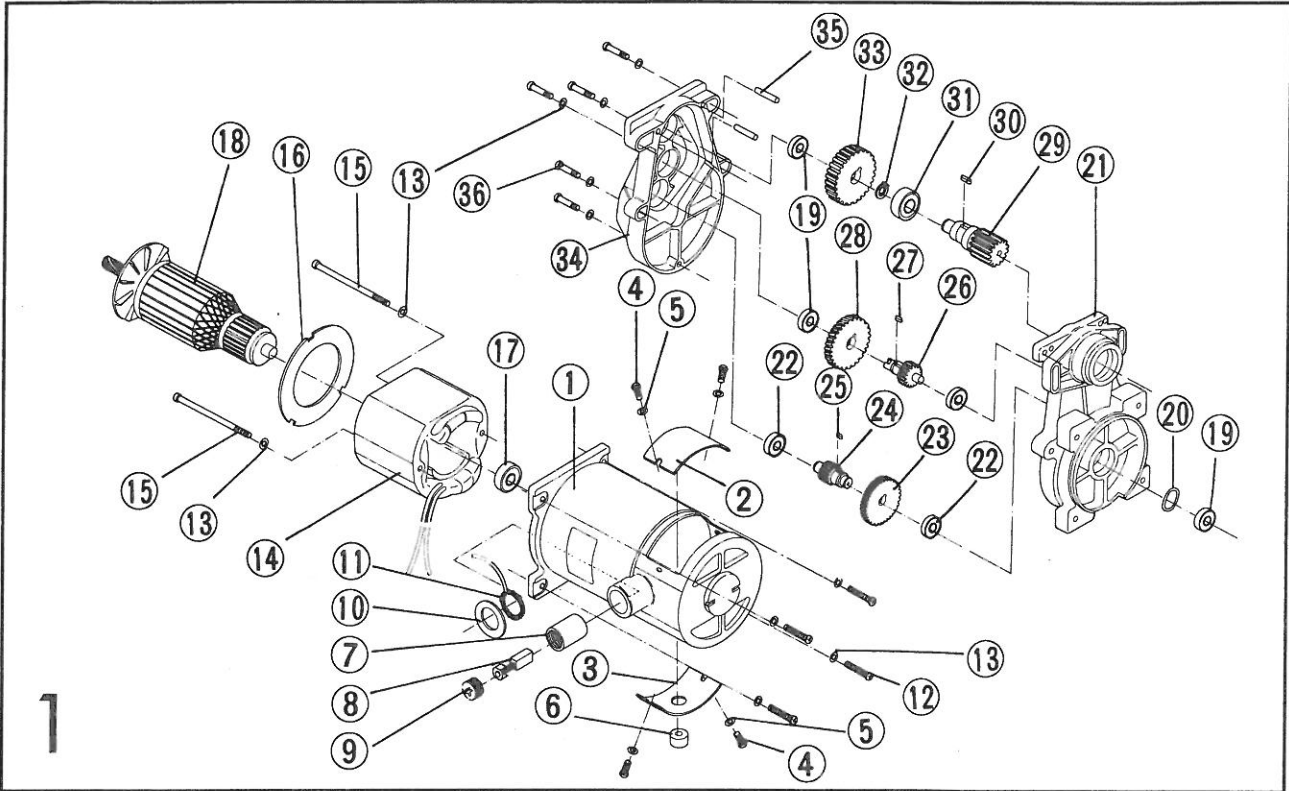
HAJO TOOL

Professionelt specialværktøj

Vejlegårdsvej 65 B • DK-2665 Vallensbæk
Telefon +45 4444 2400 • Fax +45 4444 0833
www.hajo.dk • hajo@hajo.dk

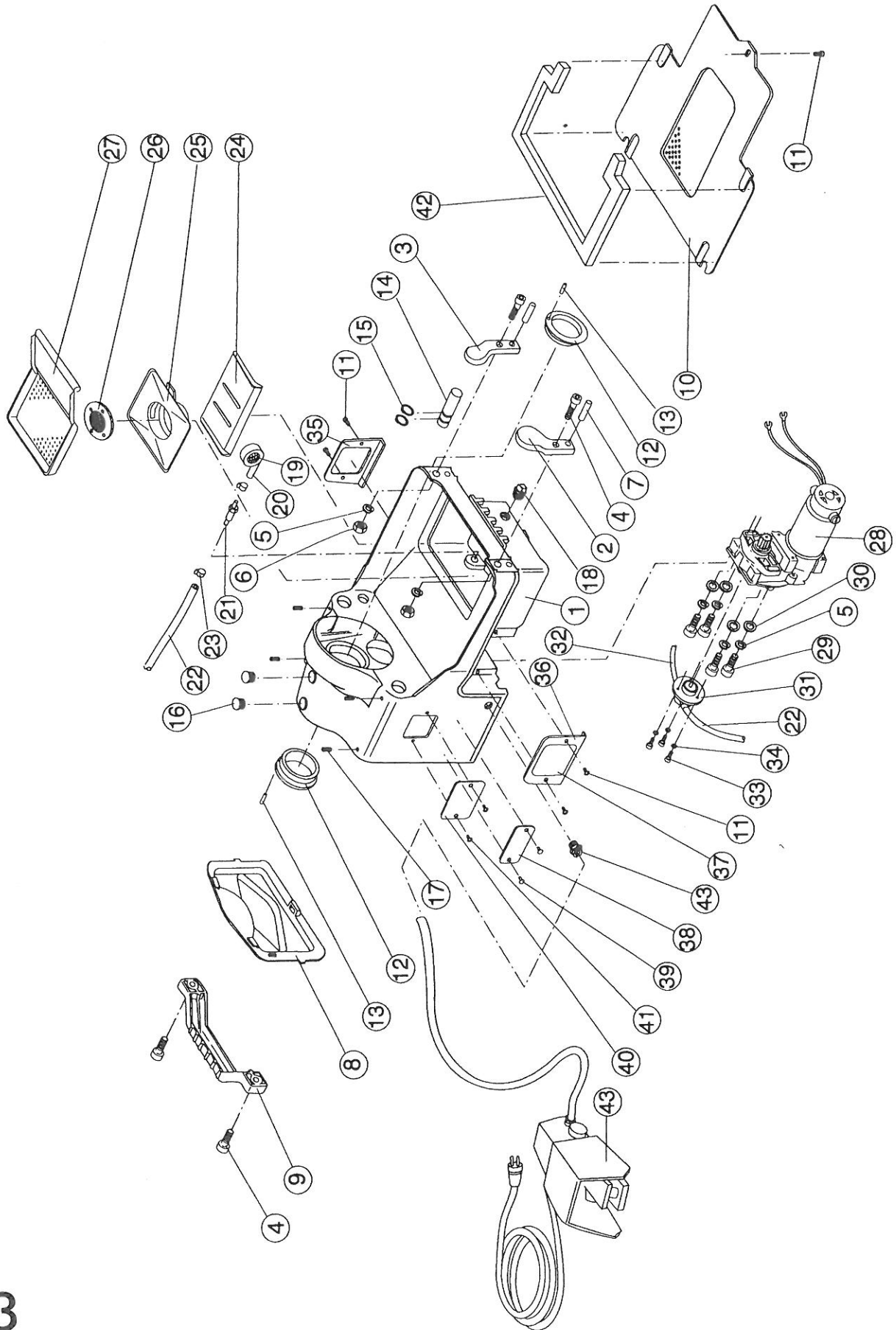
REX

REX N40A(Moter)



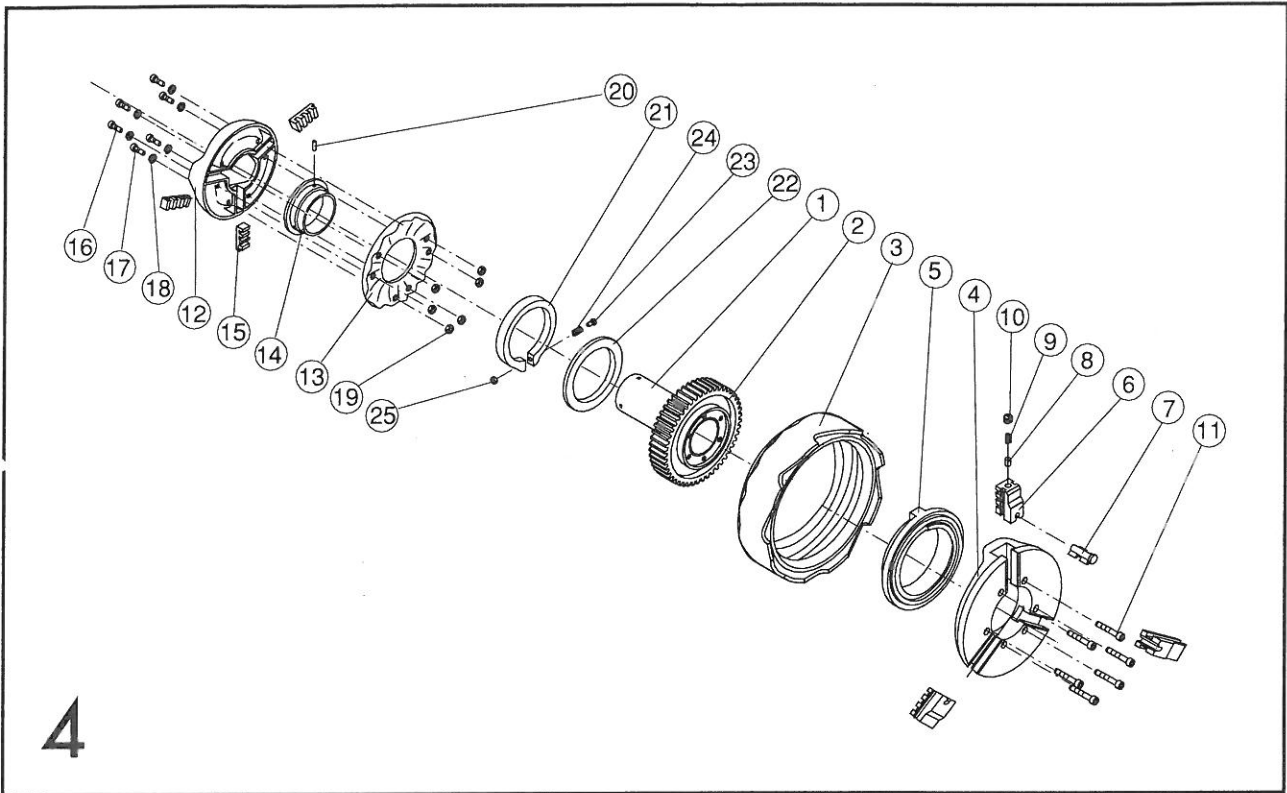
No.	Part No.	Part Name	Set
1		Housing	1
2		Cover (1)	1
3		Cover (2)	1
4		Round head machine screw (M4×8)	4
5		Washer (4)	4
6		Rubber bush	1
7	GM 16	Carbon brush holder for 100V/220V	2
8	GM 10	Carbon brush (auto-stop) for 100V/220V	1set
9	GM 17	Carbon brush cap for 100V/220V	2
10		Stop plate	2
11		Internal wize assembly	2
12		Round head machine screw (M5×20)	4
13		Spring washer (5)	11
14	GM 08	Stator assembly-220V	1
	GM 05	Stator assembly-100V	2
15		Round head machine screw (M5×80)	1
16		Air vent	1
17		Bearing (628ZZ)	1
18	GM 04	Armature assembly-220V	3
	GM 01	Armature assembly-100V	1
19		Bearing (6201ZZ)	1
20		Wave washer	3
21		Gear cover	1
22		Bearing (6200ZZ)	1
23		First gear	1
24		Second pinyon	1
25		Key (4×4×1)	1
26		Third pinyon	1
27		Key (5×5×12)	1
28		Second gear	1
29		Spindle	1
30		Key (5×5×16)	1
31		Bearing (6204ZZ)	1
32		Snap ring (out side 20)	1
33		Final gear	1
34		Inner cover	1
38		Spring pin	2
39		Round head machine screw (M5×25)	5
41			
42			

} Set GM20



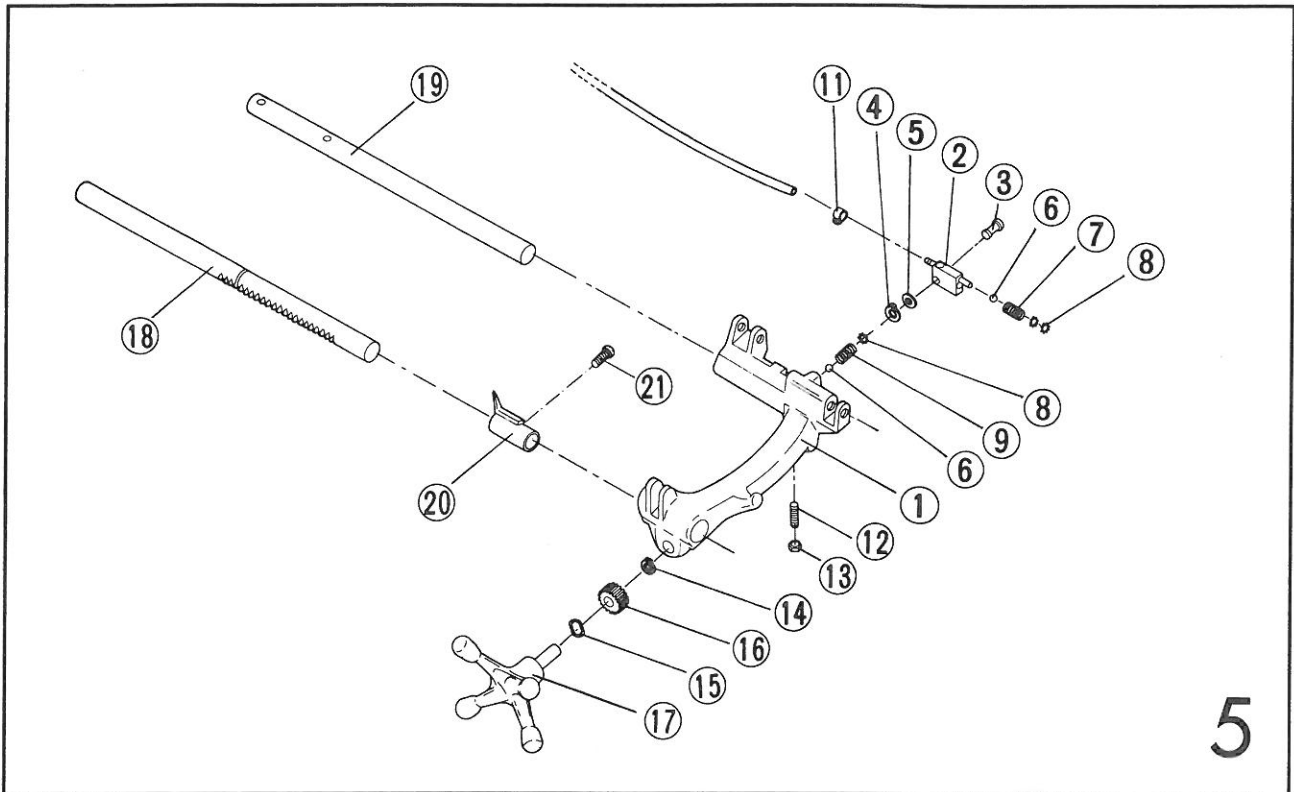
No.	Part No.	Part Name	Set	
1	G081	Base casting assembly	1	Set / G004 Gear cover
2	G013	Support(Left)	1	
3	G016	Support(Right)	1	
4		Socket head cap screw (M8×25)	4	
5		Spring washer (8)	6	
6		Nut (M8)	2	
7		Roll pin (6×20)	2	
8	G035	Rear cover	1	
9	G038	Rear grip	1	
10	G084	Bottom cover	1	
11		Round head machine screw (M5×10)	5	
12	G005	Main shaft bearing	2	
13		Pin (4×10)	2	
14	G045	Oil tube cover	1	
15		Snap ring (out side 16)	2	
16	N039	Oil cap	2	
17		Hex-socket set screw (cone M8×14)	4	
18		Drain plug (R1/2)	1	
19	N048	Strainer	1	Set Tapping screw (M5×8)
20	G049	Oil intake line suction tube A (60 φ)	1	
21	T056	Nipple	1	
22	G047	Oil intake line suction tube B (350 φ)	1	
23		Pipe band (10mm)	4	
24	G055	Oil pan	1	
25	G030	Tank upper cover	1	
26	N029	Oil filter	1	
27	G031	Scrap receiver	1	
28	G072	Motor (220V)	1	
	G070	Motor (100V)	1	
29		Socket head cap screw (M8×35)	4	
30		Washer	4	
31	9010	Gear pump (normal)	1	
32	G046	Oil feed line tube (620 φ)	1	
33		Socket head cap screw (M6×16)	3	
34		Spring washer (6)	3	
35	G036	Side cover	1	
36	G036	Side cover	1	
37	N126	Side cover level	1	
38		Name plate for CE	1	
39		Rivet (#4×5)	4	
40		Warning plate	1	
41		Rivet (#4×5)	1	
42	G085	Bottom cover sponge	1	
43	FSW1	Foot switch	1	with Cord bush
44				
45				
46				
47				
48				
49				
50				
51				
52				
53				
54				
55				
56				
57				
58				
59				
60				
61				
62				
63				
64				

REX N40A(Main shaft)



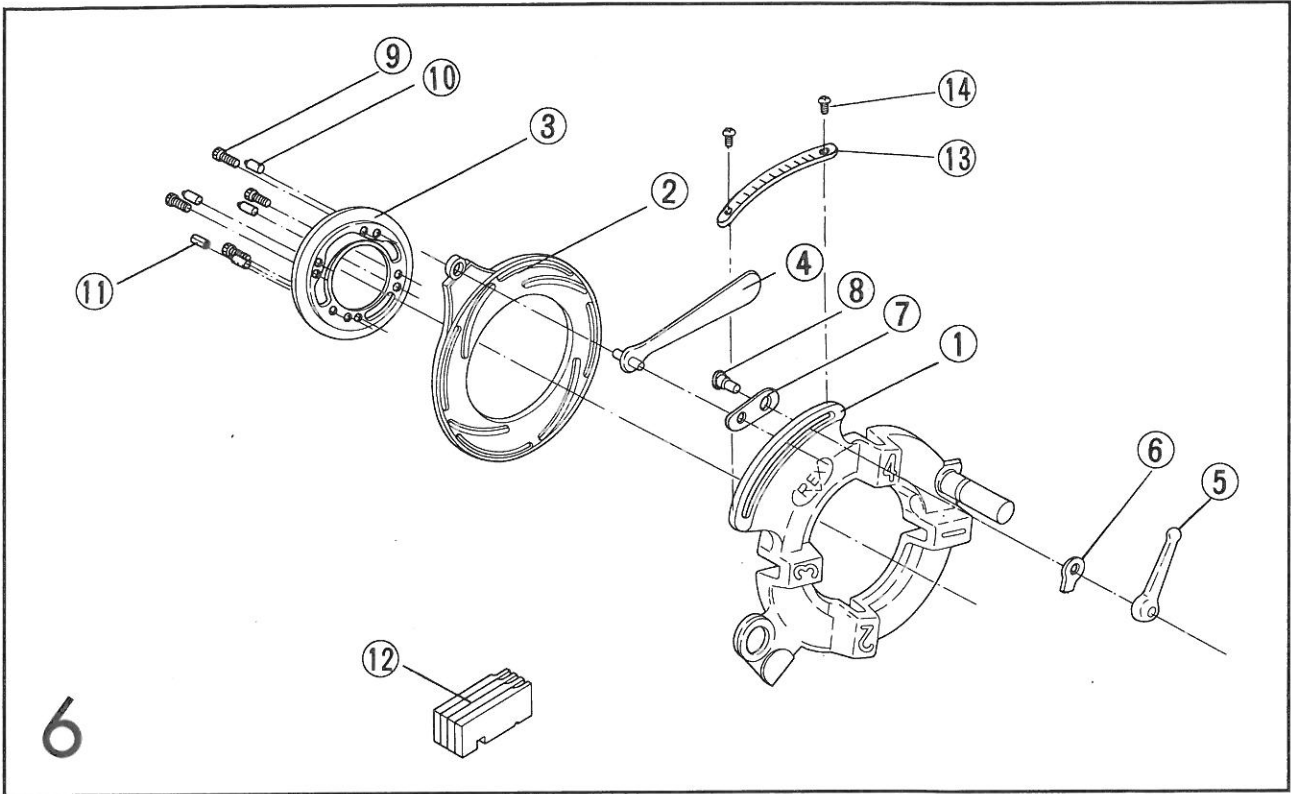
No.	Part No.	Part Name	Set		
1	G 002	Main shaft	1	} 02GS Set	
2	G 003	Main shaft gear	1		
3	G 907	Head wheel	1		
4	GN00	Chuck body	1	} Set	
5	GS00	Chuck scroll	1		
6	G0CJS	Chuck jaw set (No.6~10)	3		} G006 Chuck complete set (No.4~10) NS type
7	G0NS	Chuck jaw insert set (No.7~10)	3		
8		Spring retainer	3		
9		Spring	3		
10		Set screw	3		
11		Socket head cap screw (M6×45)	6		
12		Rear chuck receptacle	1		} G086 Rear chuck complete set (No.12~19)
13	G0S3	Rear scroll	1		
14		Rear chuck cover	1		
15	G0SS	Rear chuck jaw	3		
16		Reamer screw (M4×14)	2		
17		Round head machine screw (M4×14)	4		
18		Spring washer (4)	6		
19		Nut (M4)	6		
20	1036	Joint pin	3		
21	G082	Self adjusting thrust ring	1		
22	G083	Thrust ring	1		
23		Socket head cap screw (M6×55)	1		
24		Spring	1		
25		U nut	1		
26					
27					
28					
29					
30					
31					
32					
33					
34					
35					
36					
37					
38					
39					
40					
41					
42					
43					

REX N40A(Carriage)



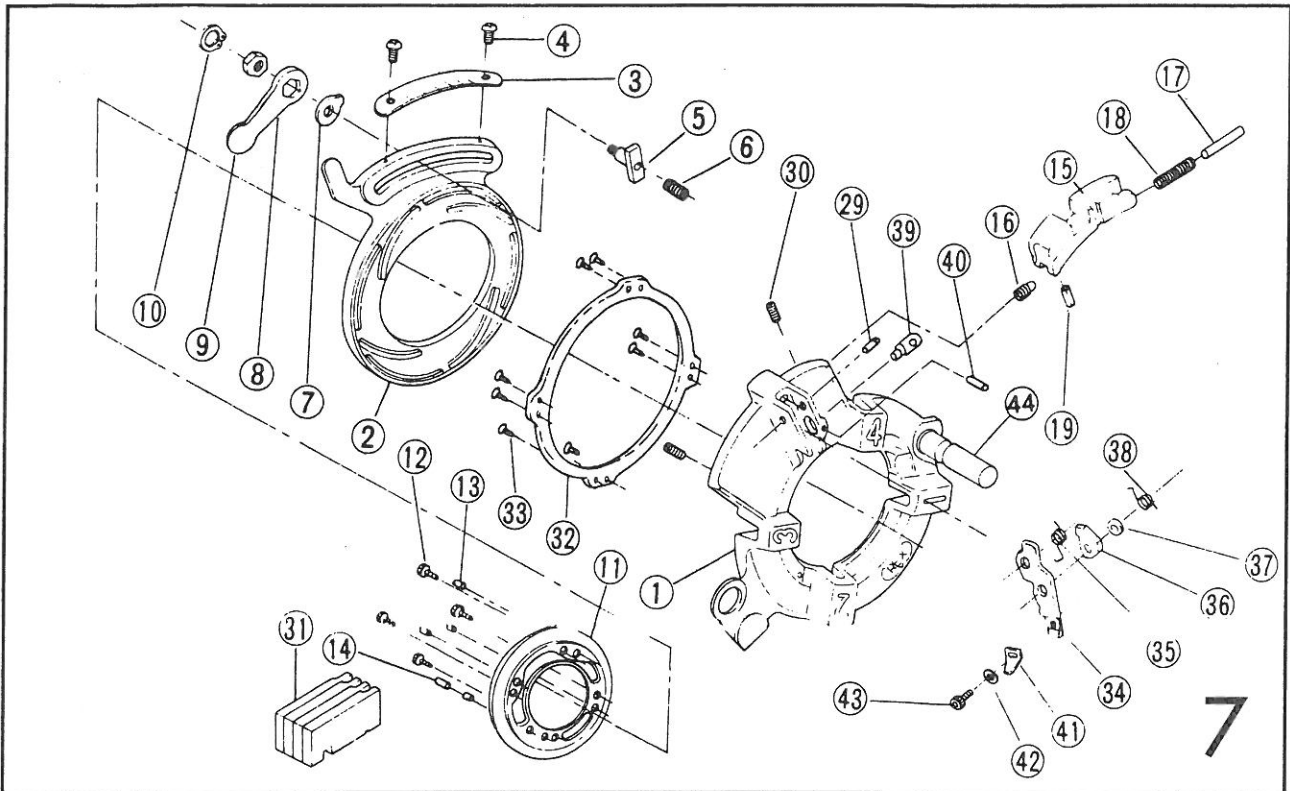
No.	Part No.	Part Name	Set	
1	G 8 0 6	Carriage	1	Set N051 Oil cap
2	G 0 4 4	Oil tube connector with No.3~8		
3	G 0 3 3	Oil flow selector lever		
4		Snap ring (out side 10)	1	
5		O-ring (P7)	1	
6		Steel ball (8)	2	
7	T 0 5 0	Spring	1	
8		Push nut (M10)	3	
9	5 0 9 6	Spring (8×10)	1	
10				
11		Pipe band (12mm)	1	
12		Hex-socket set screw (cone M6×15)	1	
13		Nut (M6)	1	
14		Snap ring (out side 19)	1	
15		Wave washer (20)	1	
16	A 5 1 5	Carriage feed gear	1	
17	G 0 1 4	Carriage handle	1	Set G015 Feed gear shaft
18	G 0 1 1	Carriage support bar A	1	
19	G 0 1 2	Carriage support bar B	1	
20	G 0 1 7	Security collar	1	
21		Round head machine screw (M5×10)	1	
22				
23				
24				
25				
26				
27				
28				
29				
30				
31				
32				
33				
34				
35				
36				
37				
38				
39				
40				
41				
42				
43				

REX N40A(Manual open die head 1/2 - 1 1/2")



No.	Part No.	Part Name	Set	
1	G 801	Universal die head body	1	Set G812 Die head post
2	G 804	Cam plate	1	
3	G 805	Universal retaining ring	1	
4	2361	Eccentric handle	1	
5	2377	Lever nut	1	
6	2381	Eccentric Washer	1	
7	2371	Eccentric link	1	
8	2386	Eccentric screw	1	
9		Socket head cap screw (M6×16)	4	
10	G 865	Dies knoch	4	
		Roll pin (5×14)	1	
12	161907	Dies (BSPT 27mm,Alloy) (1/2~3/4")	1set	
	161910	Dies (BSPT 27mm,Alloy) (1~1 1/2")	1set	
13	7713	Die head post	1	
14				
15				
16				
17				
18				
19				
29				
30				
31				
32				
33				
34				
35				
36				
37				
38				
39				
40				
41				
42				
43				
44				

REX N40A(Uni-auto V die head 1/2 - 1 1/2")



No.	Part No.	Part Name	Set	
1	G 900	Die head body	1	Set G812 Die head post
2	G 802	Cam plate	1	
3	G 830	Size plate	1	
4		Truss screw (M4×6)	2	
5	G 811	Cam plate fixed pin	1	
6	N 722	Spring	1	
7		Washer (12)	1	
8	N 705	Lever nut	1	
9	N 707	nut	1	
10		Snap ring (out side 20)	1	
11	G 805	Retaining ring	1	
12		Socket head cap screw (M6×16)	4	
13	G 860	Dies knoch	4	
14		Roll pin (5×14)	1	
15	G 820	Opening block	1	
16	7698	Spring	1	
17	7735	Spring guide	1	
18	7697	Spring	1	
19		Roll pin (6×18)	1	
29	N 714	Lever pin	1	
30		Hex-socket set screw (M8×18)	2	
31	161907	Dies (BSPT 27mm,Alloy) (1/2~3/4")	1set	
	161910	Dies (BSPT 27mm,Alloy) (1~1 1/2")	1set	
32	G 880	Die head ring	1	
33		Flat head cap screw (M4×10)	8	
34	G 865 - b	Auto-open lever (part A)	1	
35	7696	Lever spring	1	
36	7753	Guide plate	1	
37	G 868	Guide plate collar	1	
38	7739	Cam plate spring	1	
39	G 867	Guide plate pin	1	
40		Roll pin (4×12)	1	
41	G 866	Auto-open lever (part C)	1	
42		Washer (6)	1	
43		Socket head cap screw (M6×10)	1	
44	7713	Die head post	1	
	0786	Auto-open lever complete set (No.34,41,42,43)		

