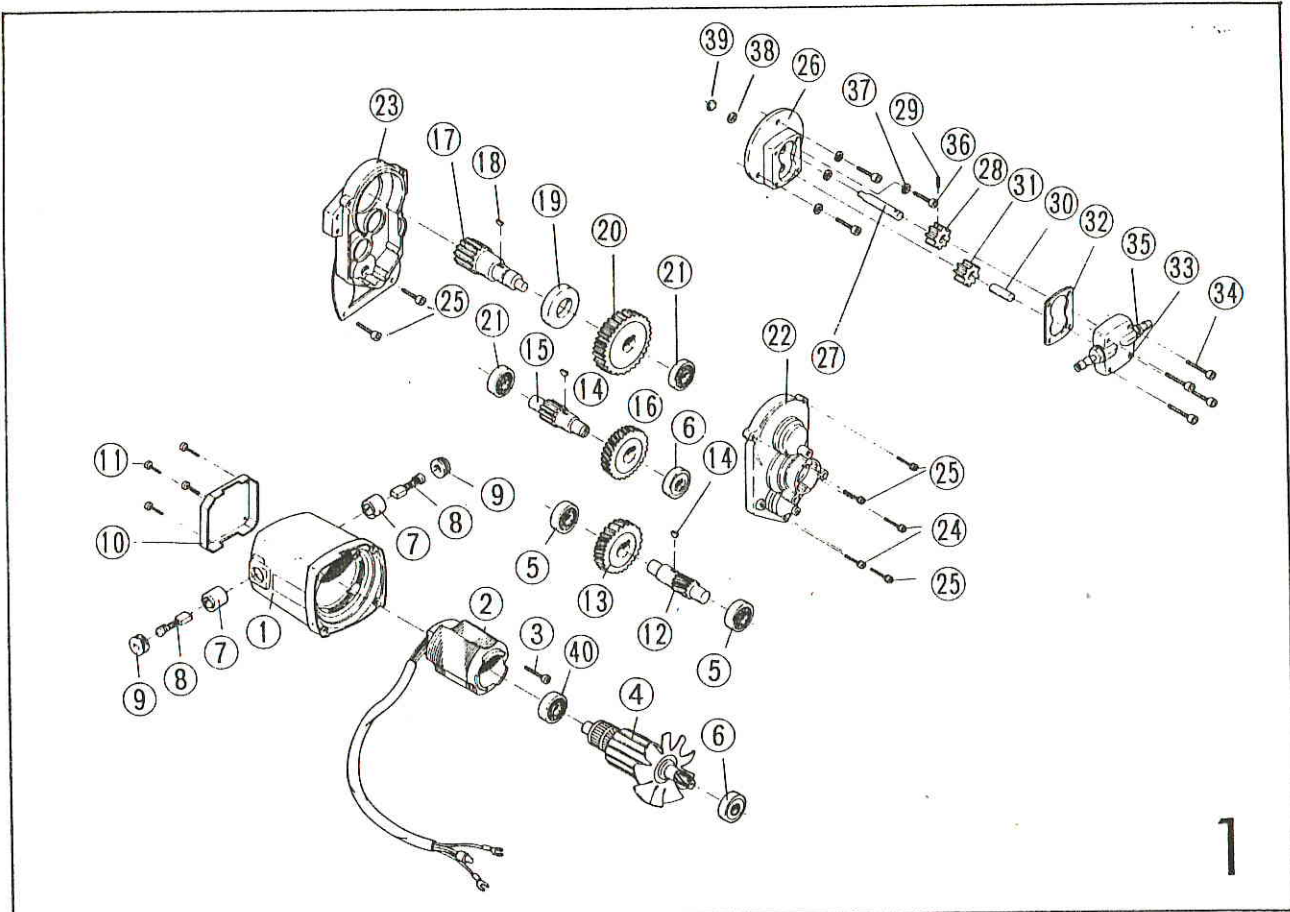


REX N50A (Motor, Pump)

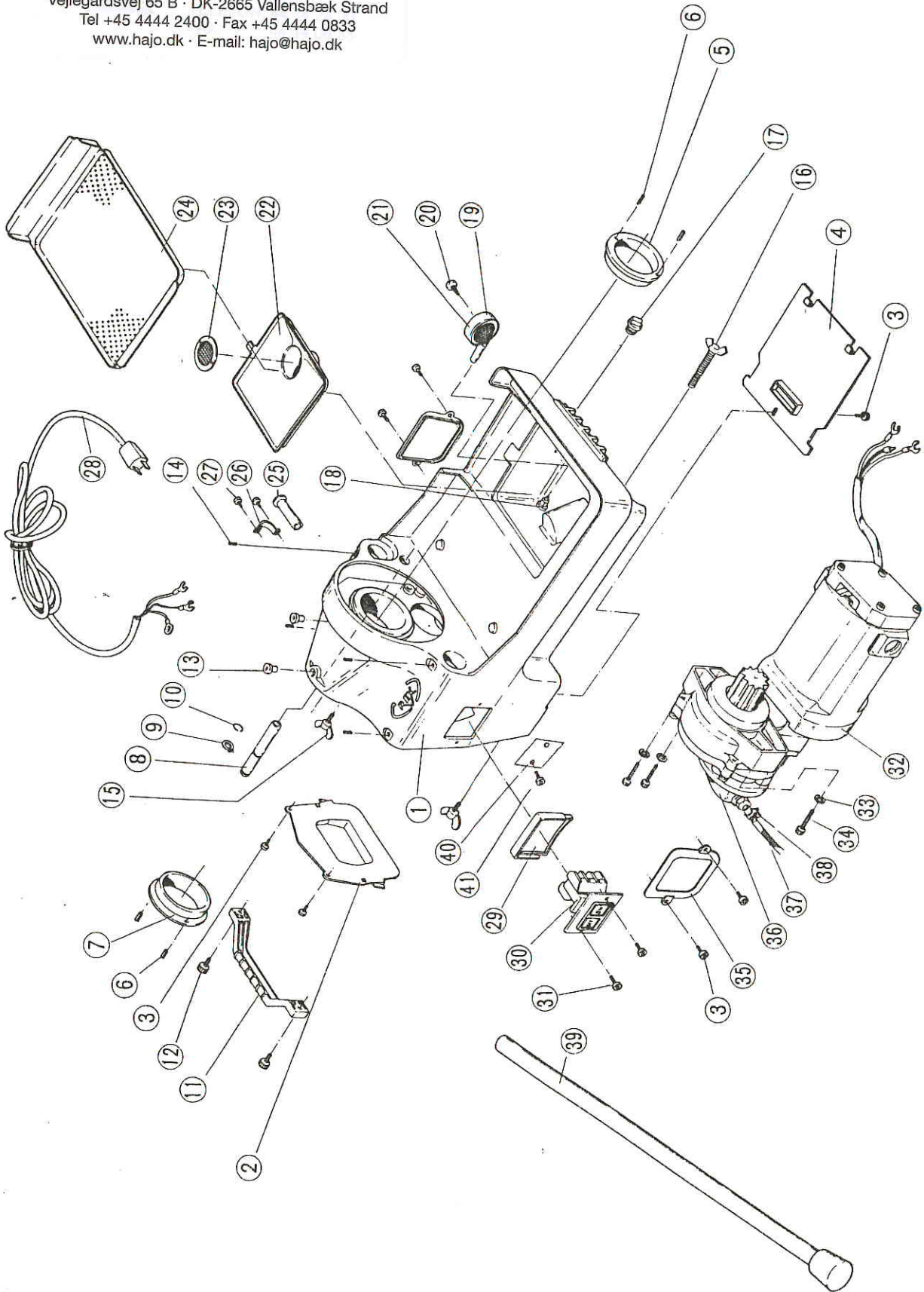


No.	Part No.	Part Name	Set	
1		Housing	1	
2		Stator assembly	1	
3		Round head machine screw (M 5 × 60)	2	HF 690560
4		Armature assembly	1	
5		Bearing (6200)	2	HK 6200
6		Bearing (6201ZZ)	2	HK 6201ZZ
7		Carbon brush holder	2	
8		Carbon brush (auto-stop)	1 set	
9		Carbon brush cap	2	
10		Housing cover	1	
11		Round head machine screw (M 5 × 25)	4	HF 690525
12		Second pinyon	1	
13		First gear	1	3,000
14		Woodruff key (3 × 10)	2	
15		Third pinyon	1	3,000
16		Second gear	1	
17		Spindle	1	
18		Woodruff key (4 × 16)	1	
19		Bearing (6304ZZ)	1	HK 6304ZZ
20		Final gear	1	
21		Bearing (6201)	2	HK 6201
22		Gear cover	1	
23		Inner cover	1	
24		Round head machine screw (with spring washer) (M 5 × 65)	2	HF 690565 HF 12655
25		Round head machine screw (with spring washer) (M 5 × 25)	5	HF 690525
26		Pump body	1	
27		Shaft	1	
28		Pump gear A	1	
29		Roll pin (2.5 × 6)	1	
30		Pin	1	
31		Pump gear B	1	
32		Gasket	1	
33		Rear cover	1	
34		Socket head cap screw (M 5 × 22)	4	HF 690522
35		Joint	2	
36		Socket head cap screw (M 6 × 16)	3	HF 690616
37		Spring washer (6 mm)	3	HF 12656
38		Oil seal (AC0158A)	1	
39		Retaining ring (22mm)	1	
40		Bearing (6200ZZ)	1	HK 6200ZZ

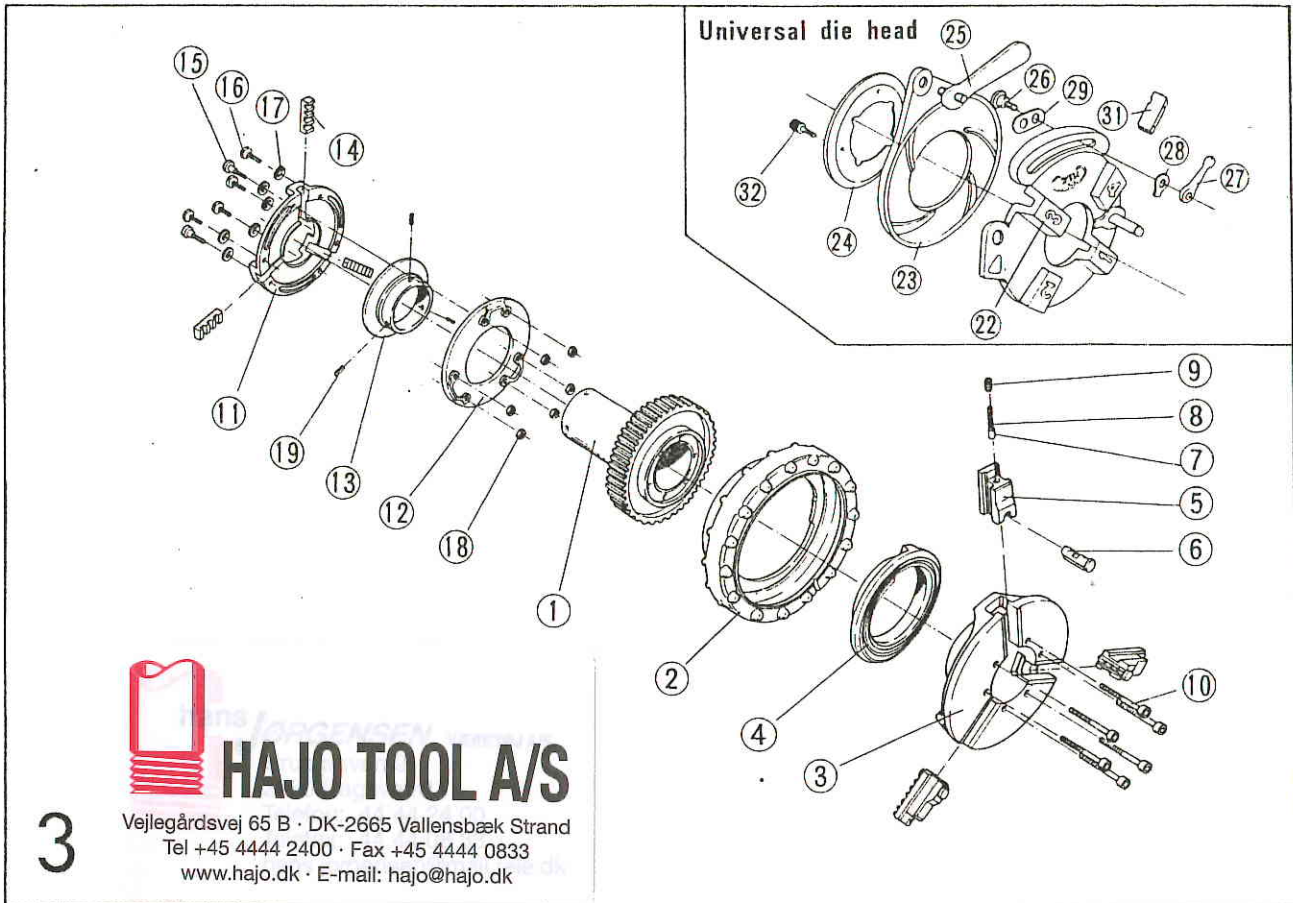


HAJO TOOL A/S

Vejlegårdsvej 65 B · DK-2665 Vallensbæk Strand
Tel +45 4444 2400 · Fax +45 4444 0833
www.hajo.dk · E-mail: hajo@hajo.dk



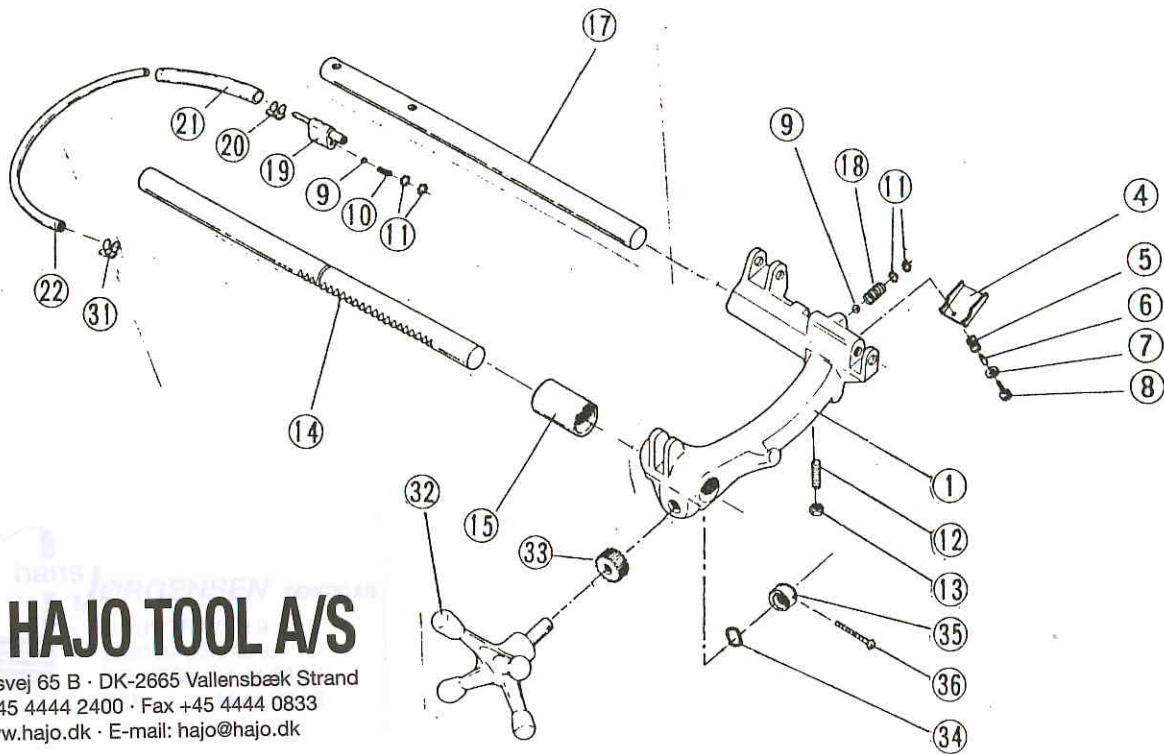
REX N50A (Main shaft, Universal die head $\frac{1}{2}$ ~2")



No.	Part No.	Part Name	Set
1	0 2 N 5	Main shaft (with main shaft gear)	1 set
2	N 1 0 7	Hand wheel	1
3		Chuck body	1
4		Chuck scroll	1
5		Chuck jaw	3
6	N 1 0 6	Chuck jaw insert	3
7		Spring retainer	3
8		Spring	3
9		Hex-socket set screw	3
10		Socket head cap screw (M 7 × 54)	6
11		Rear chuck receptacle	1
12		Rear chuck cover	1
13		Rear scroll	1
14	N 1 0 8	Rear chuck jaw	3
15		Reamer screw	2
16		Round head machine screw (M 5 × 15)	4
17		Spring washer (5mm)	4
18		Nut (M 5)	6
19		Roll pin (6 × 14)	3
20	N 1 0 8	Scroll complete set	
21			
22	2 3 2 2	Universal die head body (with die head post)	1
23	2 3 4 1	Cam plate	1
24	2 3 5 2	Universal retaining ring	1
25	2 3 6 1	Eccentric handle	1
26	2 3 8 6	Eccentric screw	1
27	2 3 7 7	Lever nut	1
28	2 3 8 1	Eccentric washer	1
29	2 3 7 1	Eccentric link	1
30			
31	X 0 4 1	Dies ($\frac{1}{2}$ ~ $\frac{3}{4}$)	1
	X 0 4 2	" (1~1 $\frac{1}{2}$)	1
32		Socket head cap screw (M 6 × 16)	4
33			
34			
35			
36			
37			
38			
39			

HAJO TOOL A/S
 Vejlegårdsvej 65 B · DK-2665 Vallensbæk Strand
 Tel +45 4444 2400 · Fax +45 4444 0833
 www.hajo.dk · E-mail: hajo@hajo.dk

No.	Part No.	Part Name	Set	
1	N 1 0 1	Base casting assembly	1	85,600
2	N 0 3 5	Rear cover	1	360
3		Round head machine screw (M 5 × 10)	7	HF 9041510 60
4	N 0 3 4	Bottom cover	1	600
5	1 0 1 0	Front main shaft bearing	1	4,320
6		Roll pin (4 × 10)	4	HF 1570410 60
7		Rear main shaft bearing	1	4,320
8	N 0 4 5	Oil tube cover	1	
9		Snapping (16mm)	1	OK 40
10		Retaining ring (16mm)	1	40
11	N 0 3 8	Rear grip	1	720
12		Socket head cap screw (M 8 × 25)	2	60
13	N 0 3 9	Oil cap	2	96
14		Hex-socket set screw (M 8 × 10)	4	OK 60
15	N 1 2 8	Wing screw (M 8 × 25)	2	50
16	N 1 2 7	Wing screw (M 8 × 45)	1	60
17		Drain plug (PT 1/2)	1	96
18	T 0 5 6	Nipple	1	120
19	N 0 4 8	Strainer	1	360
20		Set screw (5mm)	1	OK 60
21	N 0 4 9	Oil intake line suction tube A	1	360
22	N 0 3 0	Tank upper cover	1	960
23		Oil filter	1	240
24	N 0 3 1	Scrap receiver	1	2,400
25	7 0 2 1	Cord bush	1	120
26	7 0 9 8	Binder C-15	1	120
27		Round head machine screw (M 4 × 10)	2	HF 9041410 60
28		Cabtyre cord (with power plug)	1	2,000
29	N 0 4 1	Switch packing	1	96
30	N 0 0 8	Switch	1	2,160 (normal) 2,592 (reversible)
31		Oval head machine screw (M 4 × 10)	2	60
32		Motor (Series motor)	1	60,000
33		Spring washer (8mm)	4	HF 15708 60
34		Socket head cap screw (M 8 × 45)	4	HF 690846 60
35	N 0 3 6	Side cover (with side cover label)	2	
36	9 0 1 0	Gear pump	1	6,400 (normal) 10,200 (reversible)
37	N 0 4 6	Oil intake line suction tube B	1	360
38		Pipe band S	3	96
39	N 1 2 1	Pipe stand (with Leg cap)	3	3,480
40	N 1 2 4	Name plate	1	
41		Rivet	2	
42				
43				
44				
45				
46				
47				
48				
49				
50				
51				
52				
53				
54				
55				
56				
57				
58				
59				
60				
61				
62				
63				
64				



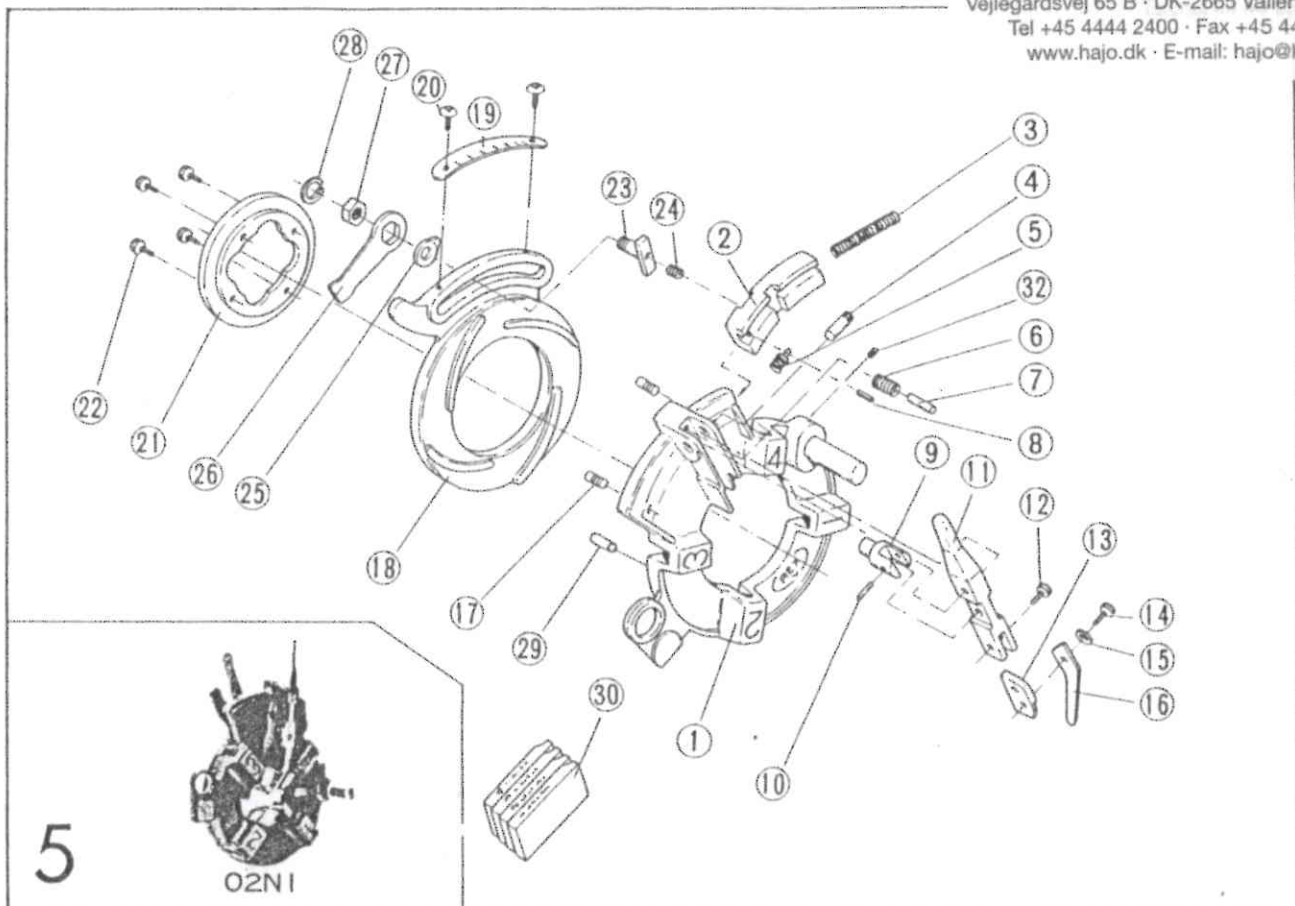
HAJO TOOL A/S

Vejlegårdsvej 65 B · DK-2665 Vallensbæk Strand
 Tel +45 4444 2400 · Fax +45 4444 0833
 www.hajo.dk · E-mail: hajo@hajo.dk

4

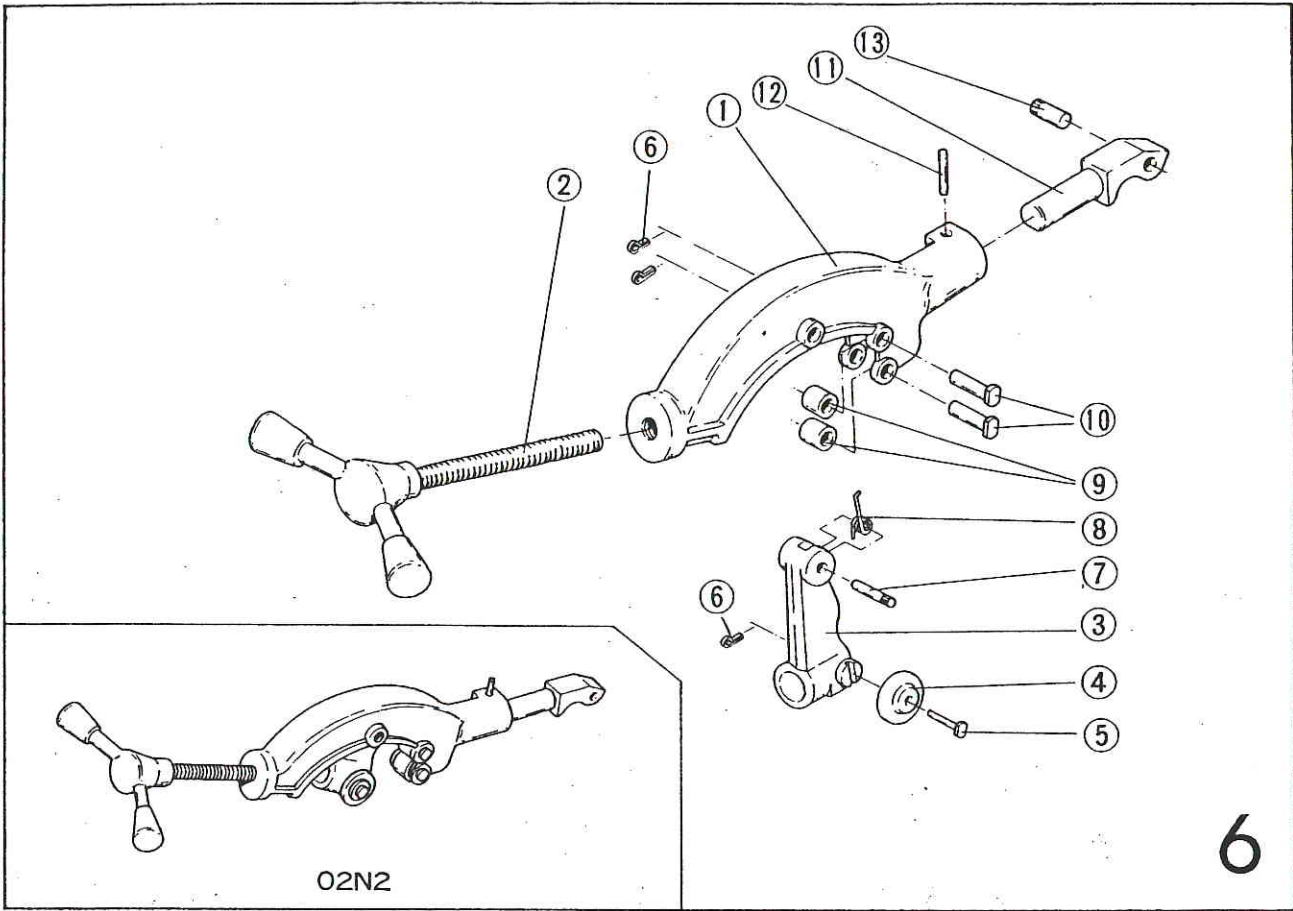
No.	Part No.	Part Name	Set	
1	N 0 1 0	Carriage	1	
2				
3				
4	N 0 3 2	Oil drip cover	1	
5	N 3 7 0	Spring	1	
6	9 0 5 6	Collar	1	
7		Washer	1	
8		Socket head cap screw (M 6 × 20)	1	HF 690620
9		Steel ball (8 mm)	2	4K 8
10	T 0 5 0	Spring	1	
11		Push nut	4	
12		Hex-socket set screw (M 6 × 15)	1	HF 690615
13		Jam nut (M 6)	1	HF 38926
14	N 0 1 1	Carriage support bar A	1	
15	N 0 1 6	Security collar	1	
16				
17	N 0 1 2	Carriage support bar B	1	
18		Spring	1	
19	N 0 4 4	Oil tube connector	1	
20		Pipe band L	1	
21	N 1 3 0	Oil feed line tube cover	1	
22	N 0 4 7	Oil feed line tube	1	
23				
24				
25				
26				
27				
28				
29				
30				
31		Pipe band S	1	
32	N 0 1 4	Carriage handle (with feed gear shaft)	1	
33	A 5 1 5	Carriage feed gear	1	
34		Wave washer (φ20)	1	
35	9 0 1 8	Feed gear stop ring	1	
36		Round head machine screw (M5 × 30)	1	HF 9041530
37				
38				
39				
40				

REX N50A (Self-opening die head 1/2~2")



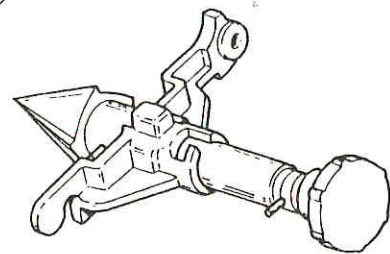
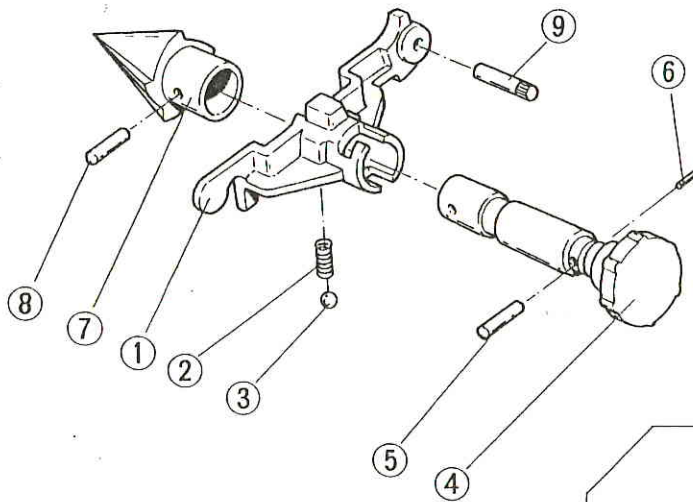
No.	Part No.	Part Name	Set	
1	N 7 0 1	Die head body (with die head post and auto-open pin collar)	1	
2	N 7 0 4	Opening block	1	
3	7 6 9 7	Spring	1	
4	N 7 1 4	Lever pin	1	
5	N 7 2 0	Spring	1	
6	N 7 1 8	Spring	1	
7		Spring guide	1	
8		Roll pin (6 × 16)	1	HF 1590 616
9	N 7 0 9	Auto-open pin	1	
10	N 7 1 6	Straight pin	1	
11	N 7 1 1	Open lever	1	
12		Socket head cap screw (M 8 × 16)	1	HF 690 816
13	N 7 1 2	Auto-open link	1	
14		Socket head cap screw (M 8 × 10)	1	HF 690 810
15		Washer (8 mm)	1	24
16	N 7 1 3	Auto-open lever C	1	
17	N 7 1 7	Stop screw	2	
18	N 7 0 2	Cam plate	1	
19	N 7 2 1	Size plate	1	
20		Truss screw	2	
21	N 7 0 3	Retaining ring	1	
22		Socket head cap screw (M 6 × 16)	4	HF 690 616
23	N 7 0 6	Cam plate fixed pin	1	
24	N 7 2 2	Spring	1	
25	N 7 0 8	Eccentric washer	1	
26	N 7 0 5	Lever nut	1	
27	N 7 0 7	Nut	1	
28		Snapping (20 mm)	1	
29		Roll pin (5 × 14)	1	
30	X 0 4 1	Dies 1/2 - 1/2	1 set	
31	X 0 8 1	" 1 - 2	1 set	
32		Hex-socket set screw	1	
33				
34				
35				
36				
37				
38				
39				
40				

REX N50A (Cutter)



No.	Part No.	Part Name	Set	
1	N 0 2 0	Cutter frame	1	
2	N 0 2 1	Cutter handle (with feed screw)	1	
3	4 0 6 7	Cutter guide (with pin)	1	
4	5 0 7 6	Cutter wheel	1	
5	2 4 7 1	Cutter pin S	1	
6		Spring cotter (2.3×15)	3	<i>DK</i>
7	9 0 2 7	Cutter guide pin	1	
8	4 0 7 0	Spring	1	
9	5 0 7 4	Cutter roller	2	
10	5 0 7 9	Cutter pin L	2	
11	N 0 2 3	Cutter arm	1	
12	4 0 7 2	Cutter frame stop pin	1	
13	1 0 7 6	Cutter arm stop pin	1	
14				
15		Cutter complete set	1	
16				
17				
18				
19				
20				
21				
22				
23				
24				
25				
26				
27				
28				
29				
30				
31				
32				
33				
34				
35				
36				
37				
38				
39				
40				

REX N50A (Reamer)



O2N3

No.	Part No.	Part Name	Set	
1	N 0 2 5	Reamer arm	1	91,000
2		Spring	1	49
3		Steel ball (8mm)	1	HK 8 72
4	N 0 2 6	Reamer shaft (with knob)	1	820
5		Roll pin (8 x 35)	1	60
6		Roll pin (5 x 35)	1	60
7	1 0 9 3	Reamer cone	1	6,000
8		Roll pin (8 x 45)	1	50
9	1 0 9 6	Reamer pin	1	120
10				
11		Reamer complete set	1	91,000
12				
13				
14				
15				
16				
17				
18				
19				
20				
21				
22				
23				
24				
25				
26				
27				
28				
29				
30				
31				
32				
33				
34				
35				
36				
37				
38				
39				
40				



HAJO TOOL A/S

Vejlegårdsvej 65 B · DK-2665 Vallensbæk Strand
 Tel +45 4444 2400 · Fax +45 4444 0833
 www.hajo.dk · E-mail: hajo@hajo.dk