

modtaget 7-10-88

**REX 150A**

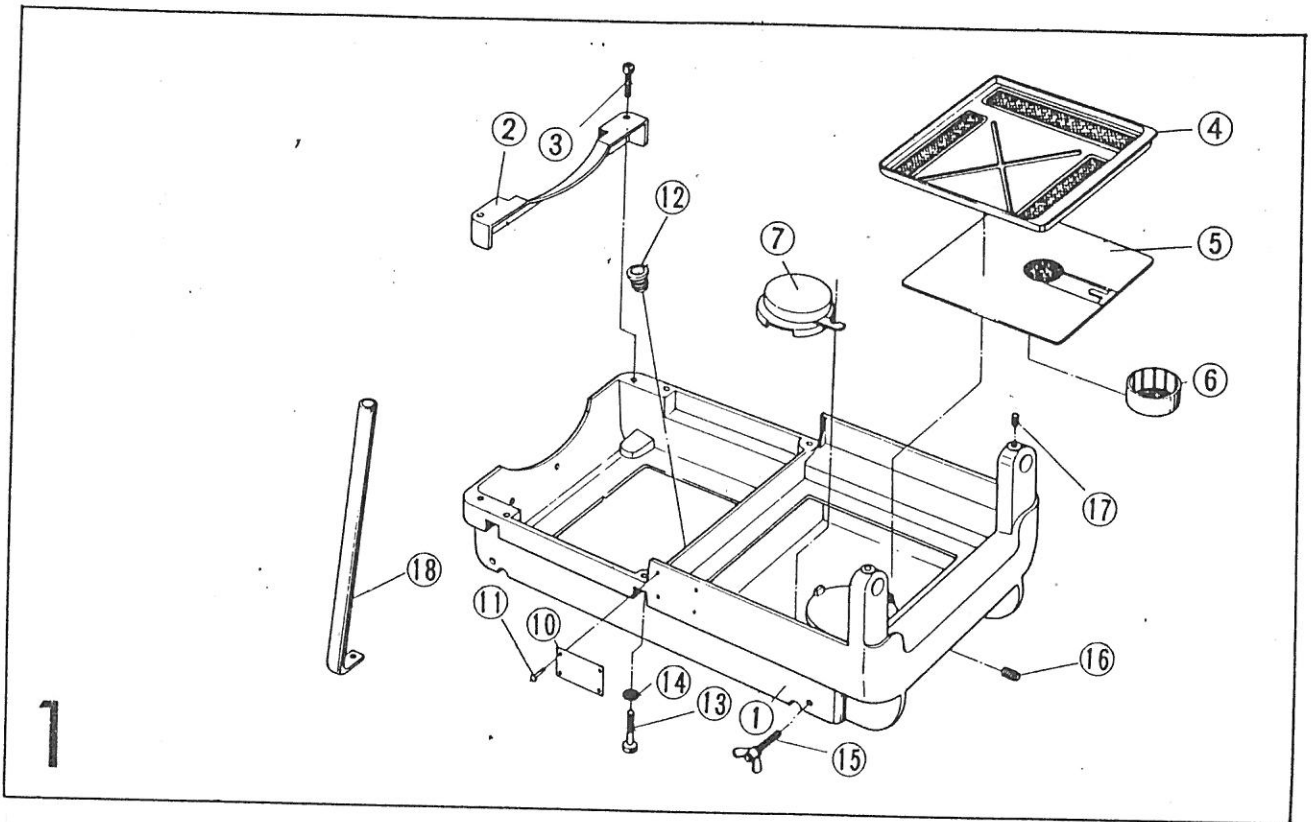
**Parts List**

Ref.No.198302



**REX Industries Co.,Ltd.**

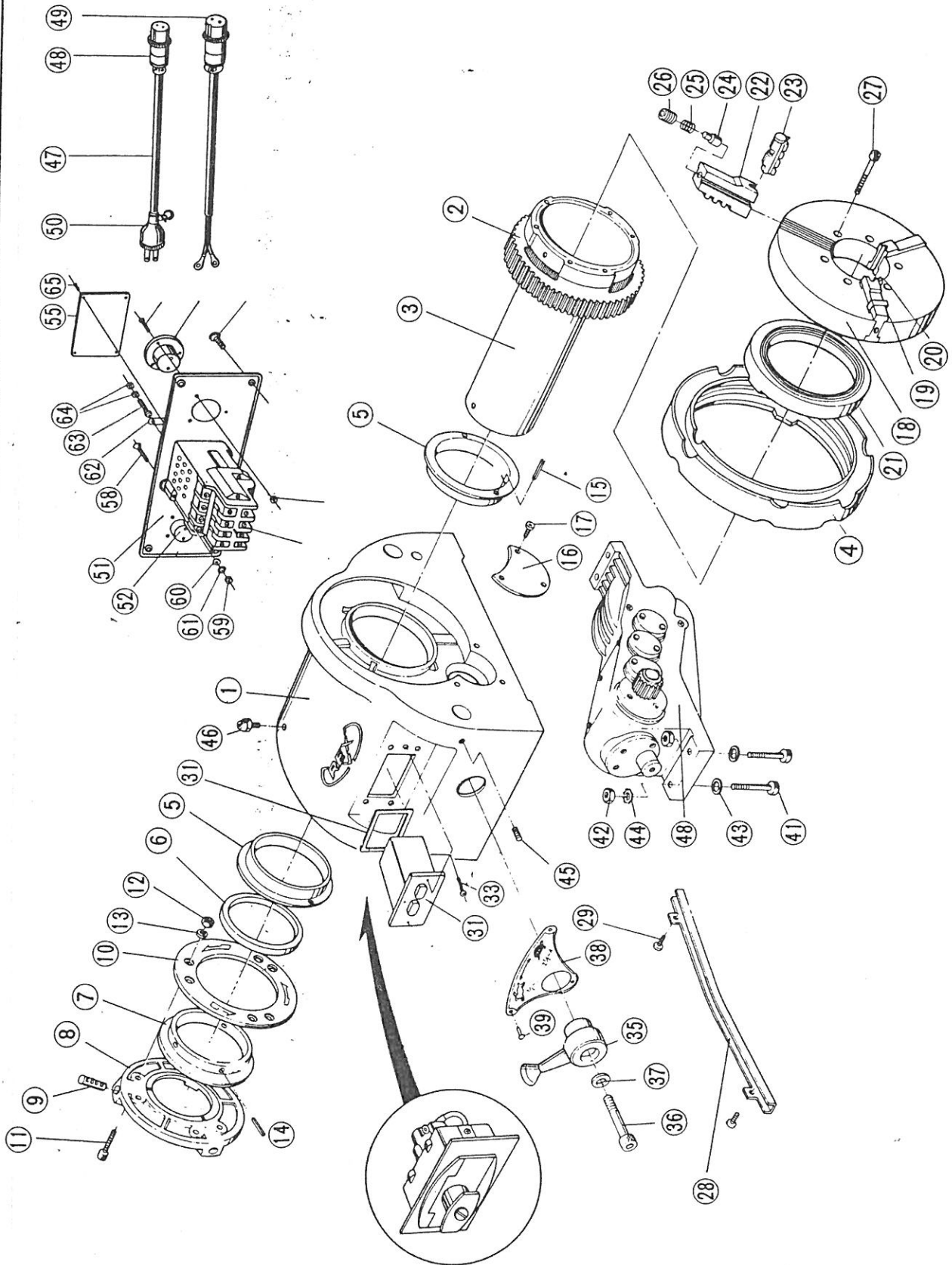
# REX 150A (Base)



1

No.	Part No.	Part Name	Set	
1	A 0 5 1	Base	1	114,000
2	A 0 5 2	Motor cover	1	5,400
3		Socket head cap screw (M 8 × 55)	2	60
4	A 0 5 3	Scrap receiver	1	3,360
5	A 0 5 4	Tank upper cover	1	1,020
6	A 0 5 5	Oil pot	1	540
7	A 0 5 6	Strainer	1	540
8				
9				
10	E 0 2 0	Name plate	1	
11		Rivet (0 × 5)	4	48
12	1 0 9 5	Suction tube bush	1	216
13		Socket head cap screw (M10 × 40)	4	60
14		Spring washer (10mm)	4	48
15		Wing screw (M10 × 25)	4	120
16		Drain plug (PT 1/2")	1	72
17		Hex-socket set screw (M 8 × 14)	2	
18	A 0 5 7	Pipe stand	4	3,360.-set
19		Set screw (5mm)	1	
20				
21				
22				
23				
24				
25				
26				
27				
28				
29				
30				
31				
32				
33				
34				
35				
36				
37				
38				

# REX 150A (Head stock)



No.	Part No.	Part Name	Set		
1	E 0 0 1	Head stock	1	10,800	
2	0 2 E J	Main shaft gear (with main shaft)	1	67,200	
3					
4	E 0 0 3	Hand wheel	1	24,000	
5	E 0 0 5	Main shaft bearing	2	15,600	
6	E 0 0 8	Thrust ring	1	600	
7		Rear scroll	1	10,800	
8		Rear chuck receptacle	1	10,800	
9		Rear chuck jaw	3	2,880.-set	
10	E 0 0 6	Rear chuck cover	1	5,400	
11		Socket head cap screw (M 6 × 16)	6	60	
12		Hexagon nut (M 6)	6	48	
13		Spring washer (6 mm)	6		
14		Roll pin (6 × 18)	3	48	
15		Roll pin (4 × 10)	4	48	
16	A 0 0 9	Window cap	1	300	
17		Round head machine screw (M 4 × 18)	3	60	
18		Chuck body	1	39,600 (with No.20)	
19		Stop block	1		
20		Block pin	2		
21	E 0 1 7	Chuck scroll	1	21,600	
22		Chuck jaw	3		
23		Chuck jaw insert	3		
24		Spring retainer	3		
25		Spring	3		
26		Hex-socket set screw	3		
27		Socket head cap screw (M 7 × 60)	6	60	
28	A 0 1 0	Oil drip plate	1	600	
29		Round head machine screw (M 4 × 10)	2	60	
30	1 4 0 2	Switch	1	2,160	
31	A 1 9 8	Switch packing	1	72	
32		Flat	1		
33		Flat head machine screw (M 5 × 10)	2	60	
34			4		
35	A 3 0 3	Speed change lever	1	1,800	
36		Socket head cap screw (M 8 × 60)	1	60	
37		Spring washer (8 mm)	1	48	
38	E 0 2 2	Change position plate	1	300	
39		Rivets (0 × 5)	3	48	
40		Gear case complete set	1	132,000	
41		Socket head cap screw (M10×65×45)	4	60	
42		Hexagon nut (M10)	4	60	
43		Spring washer (10mm)	4	48	
44		Toothed lock washer (10mm)	4	48	
45		Hex-socket set screw (M 8 × 10)	4	60	
46		Grease nipple (6 mm)	2	84	
47		Cabtyre cord	2	1,440(thin) 1,680(thick)	
48	1 4 1 2	Metal plug (S)	1	1,200	
49	5 4 1 2	Metal plug (L)	1		
50	1 4 1 3	Power plug	1	360	
51	A 0 2 2	Relay retainer plate	1	300	
52	1 4 0 3	Metal receptacle (S)	1	1,020	
53	5 4 0 3	Metal receptacle (L)	1	1,152	
54	5 4 2 1	Relay	1	3,600	
55	A 0 2 5	Voltage indication plate	1	180	
56		Flat head machine screw (M 3 × 10)	6	60	
57		Nut (M 3)	6	48	
58		Flat head machine screw (M 4 × 25)	2	60	
59		Nut (M 4)	2	48	
60		Washer	2	48	
61	A 0 2 4	Washer	2	48	
62		Welding ground terminal	1	48	
63		Round head machine screw (M 5 × 15)	1	60	
64		Nut (M 5)	2	48	
65		Thread cutting screw (M 3 × 8)	4	60	
66		Oval head machine screw (M 4 × 14)	4	60	

93,600  
{ chuck set

3,960  
Chuck jaw insert set  
32,400 (with No. 19)  
(jaw set)

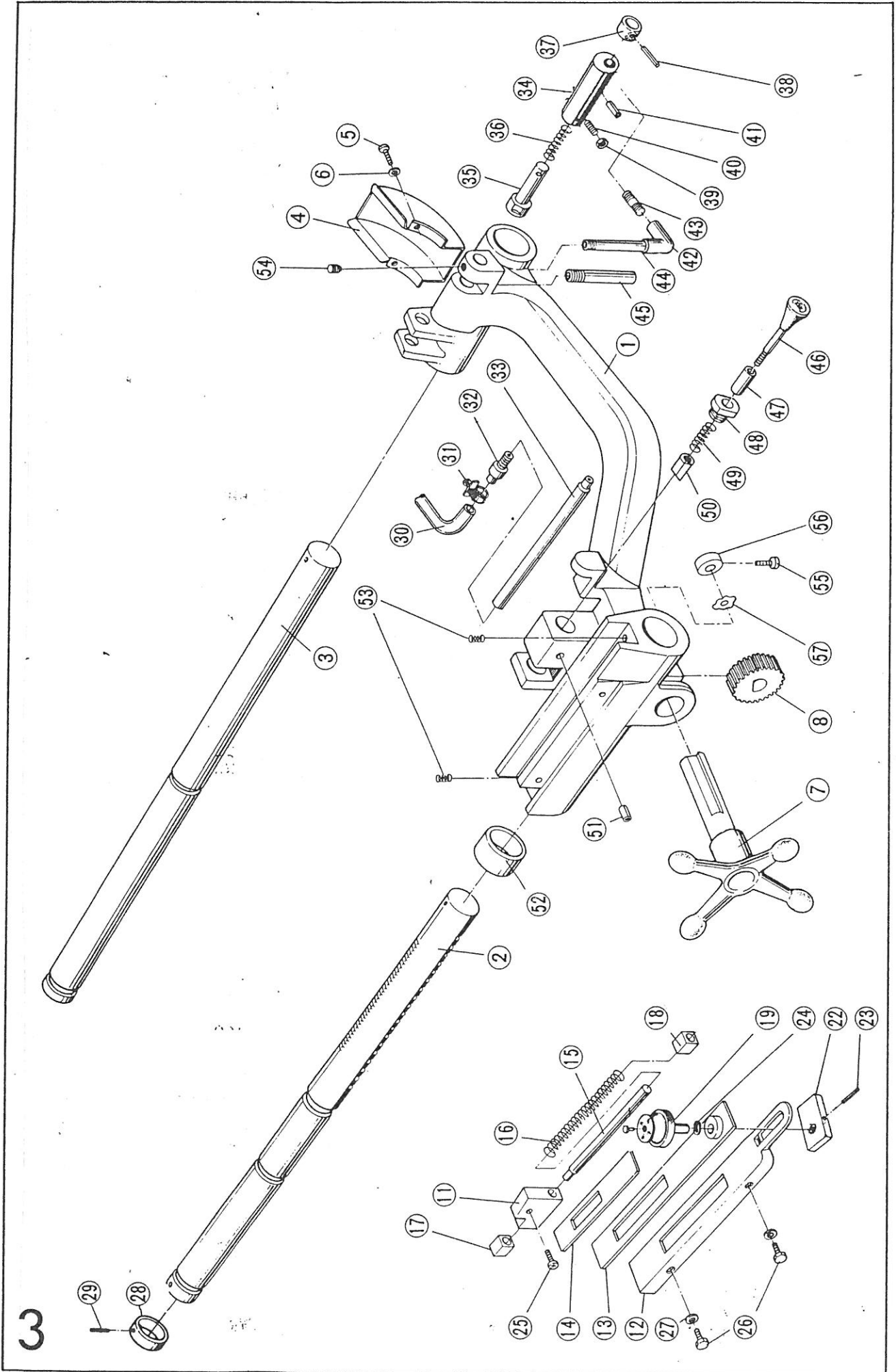
3,240

Scroll complete set

1

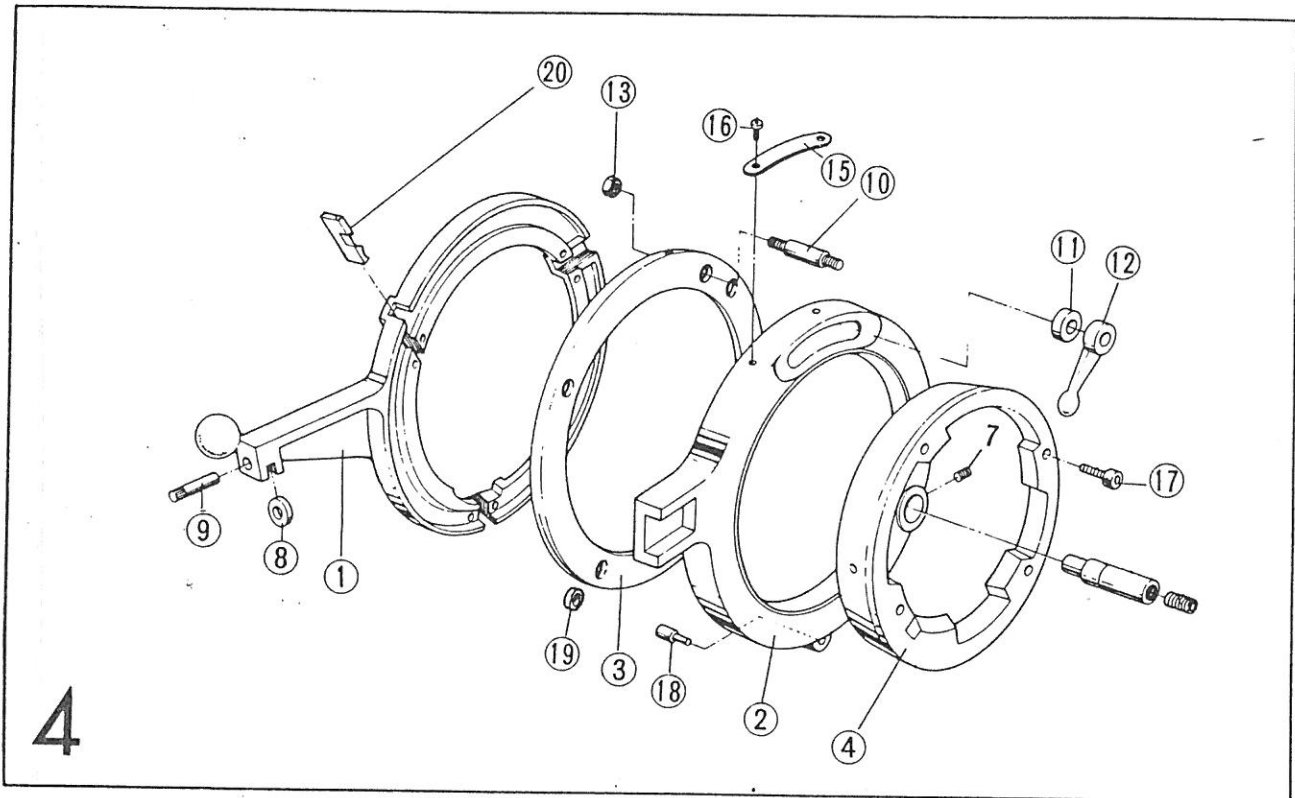
30,000

# REX 150A (Carriage, Profiling)



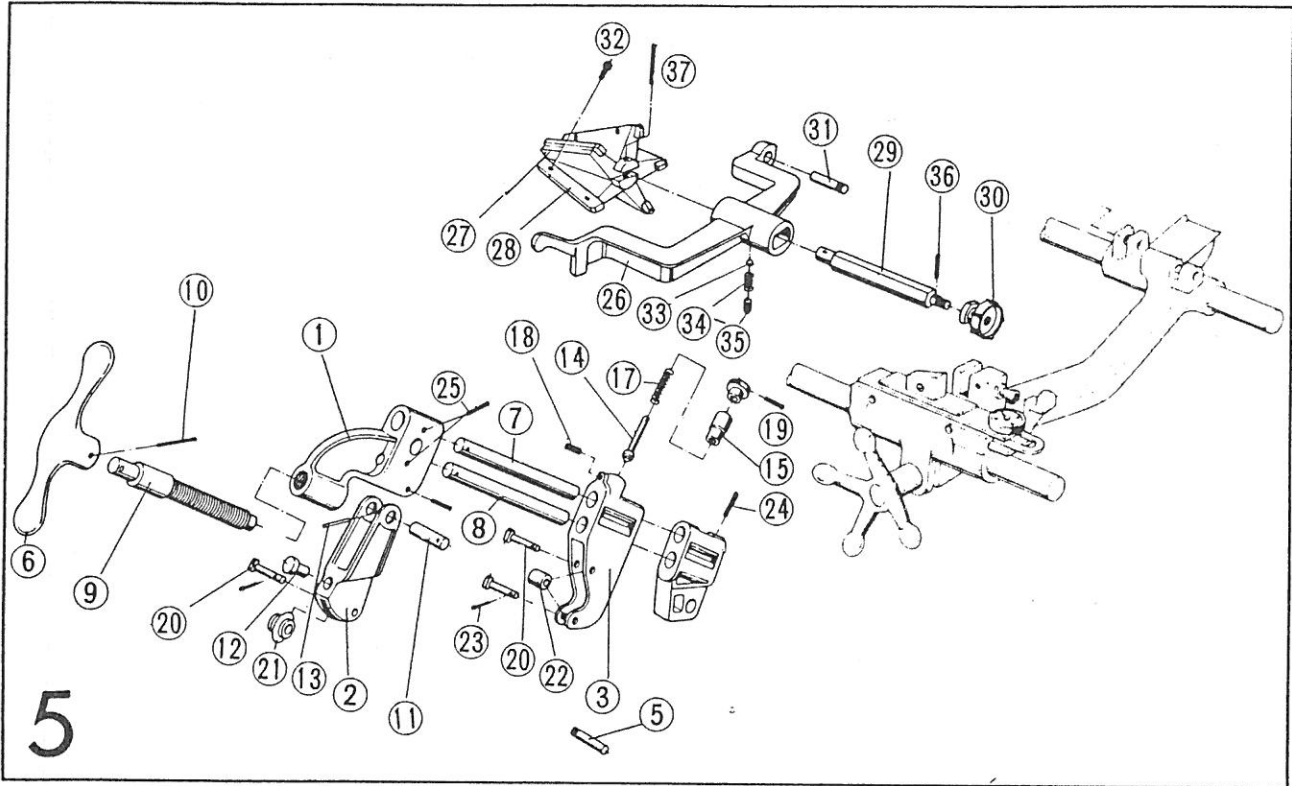
No.	Part No.	Part Name	Set	
1	A 1 0 1	Carriage	1	36,000
2	A 5 2 6	Carriage support bar A	1	3,540
3	A 5 2 7	Carriage support bar B	1	6,000
4	E 1 2 1	Oil cover	1	720
5		Round head machine screw (M 6 × 10)	2	60
6		Spring washer (6mm)	2	48
7	A 5 1 7	Carriage handle	1	2,160 } 4,320 (carriage handle with feed gear)
8	A 5 1 5	Carriage feed gear	1	
9				
10				
11		Profiling board	1	5,400
12	E 1 0 3	Profiling cover A	1	1,200
13	E 1 0 4	Profiling cover B	1	960
14	E 1 0 5	Profiling cover C	1	600
15	E 1 1 7	Spring support shaft	1	240
16	A 1 1 4	Spring	1	300
17	T 0 3 2	Size support A	1	240
18	T 0 3 3	Size support B	1	240
19	T 0 3 5	Size adjust dial (with size scale plate)	1	960
20				
21				
22		Size plate	1	1,680
23		Roll pin (3 × 10)	1	48
24		Wave washer (10mm)	1	
25		Round head machine screw (M 5 × 6)	1	
26		Hexagon screw (M 6 × 10)	2	60
27		Plain washer (6mm)	2	48
28	8 0 3 2	Carriage stop collar	1	360
29		Roll pin (5 × 20)	1	48
30		Oil feed line tube	1	720
31		Pipe band (10mm)	3	72
32	1 0 3 5	Joint	1	144
33	A 1 1 1	Oil pipe A	1	840
34	7 0 0 7	Oil pipe connector	1	960
35	7 0 1 7	Connector shaft	1	300
36	A 1 2 8	Connector spring	1	120
37	7 0 1 8	Oil adjustment knob	1	300
38		Roll pin (3 × 25)	1	48
39		Jam nut (M 6)	1	48
40		Hex-socket set screw (M 6 × 20)	1	60
41		Roll pin (8 × 25)	1	
42		¼ Elbow	1	144
43		¼ Nipple	1	72
44	A 1 1 2	Oil pipe B	1	240
45	A 1 3 8	Drain pipe	1	216
46	A 1 1 7	Die head lock knob	1	180
47	A 1 1 9	Knob pin bush	1	60
48	A 1 1 0	Die head stop pin cover	1	360
49	A 1 1 5	Spring	1	120
50	A 1 0 9	Die head stop pin	1	432
51		Roll pin (6 × 10)	1	48
52	A 5 2 0	Carriage support collar	1	216
53		Profiling board spring	2	
54		Hex-socket set screw (M 6 × 12)	1	
55		Round head machine screw (M 5 × 30)	1	
56	9 0 1 8	Feed gear stop ring	1	
57		Wave washer (φ 20)	1	
58		Spring	1	72
59				
60		Steel ball	1	72
61				
62		profiling board complete set	1	12,000
63				
64				

# REX 150A (Die head)



No.	Part No.	Part Name	Set	
1	E 1 5 1	Die head body (5~6)	1	10,800
	A 1 5 5	Die head body (2½~4)	1	10,800
2	E 1 5 2	Die head receiver plate (with die head post, plug and hex-socket set screw)(5~6)	1	9,600
	A 1 5 6	Die head receiver plate (2½~4)	1	9,600
3	E 1 5 3	Cam plate (5~6)	1	9,000
	A 1 5 7	Cam plate (2½~4)	1	9,000
4	E 1 5 4	Retaining ring (5~6)	1	6,600
	A 1 5 8	Retaining ring (2½~4)	1	6,600
5				
6		Hex-socket plug	2	60
7		Hex-socket set screw	2	60
8	5 0 5 3	Die head roll	1	240
9	3 4 1 2	Die head roll pin	1	60
10	A 1 6 3	Cam plate fixed bolt	2	300
11	A 1 6 6	Cam plate fixed bolt washer	2	300
12	2 3 7 7	Lever nut	2	360
13		Hexagon nut	2	48
14				
15	A 1 7 0	Die head size plate	1	240
	A 1 7 6	Die head size plate	1	240
16		Truss screw (M 4 × 6)	6	48
17		Socket head cap screw (M 6 × 35)	9	60
18	A 1 6 1	Die head position pin	2	72
19		Die notch	9	
20		Dies (2 1/2-4)	1 set	
21		(5-6)	1 set	
22				
23				
24				
25				
26				
27				
28				
29				
30				
31				
32				
33				
34				
35				
36				
37				
38				
39				

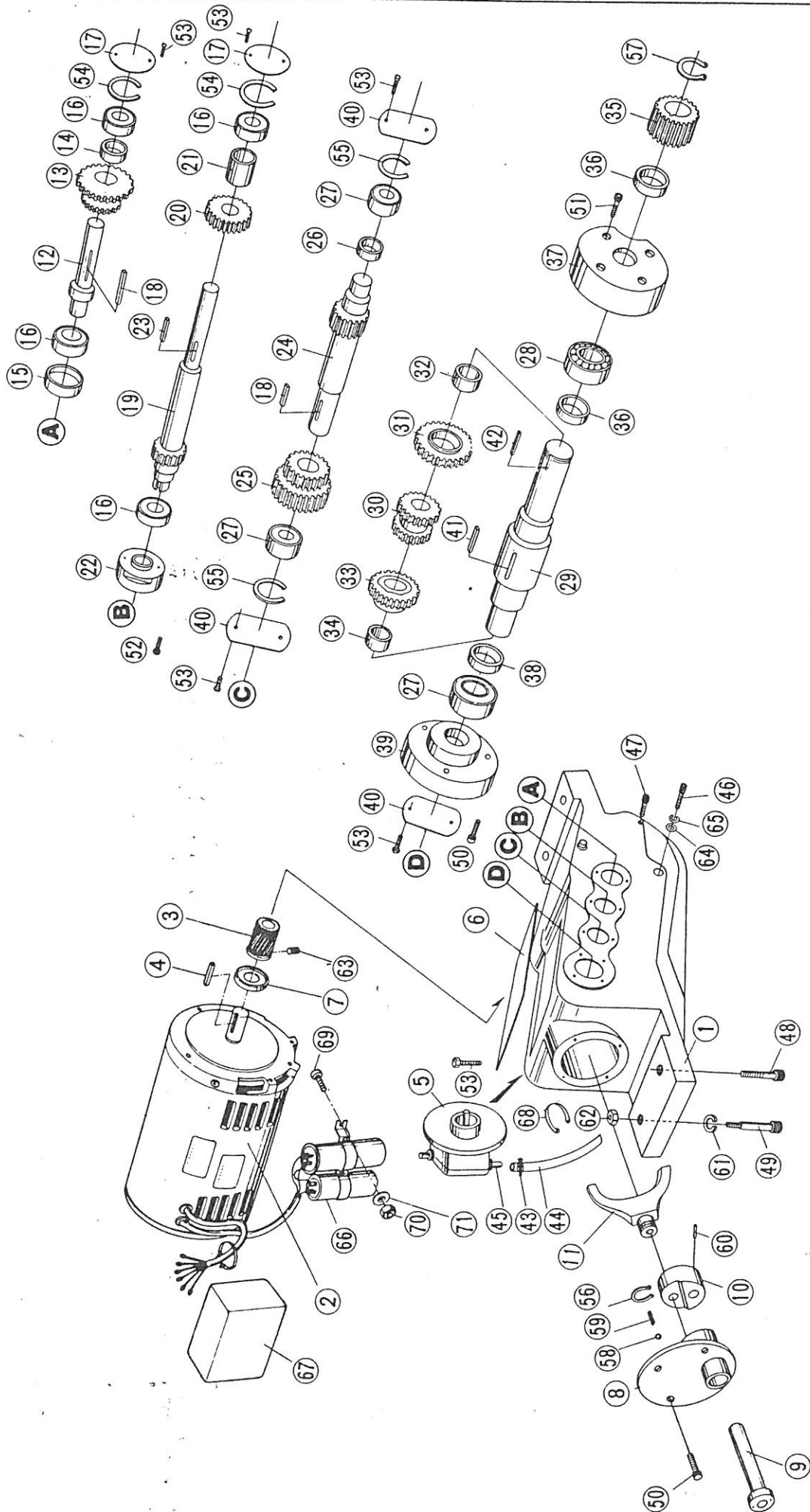
# REX 150A (Cutter, Reamer)



No.	Part No.	Part Name	Set	
1	E 2 0 1	Cutter frame	1	5,400
2	E 2 0 2	Cutter guide A (with guide stop pin A)	1	3,600
3	E 2 0 3	Cutter guide B	1	6,000
4	E 2 0 4	Cutter arm	1	6,000
5	A 2 0 9	Stop pin for cutter arm	1	240
6	E 2 0 5	Cutter handle	1	2,160
7	E 2 0 6	Cutter support bar A	1	2,400
8	E 2 0 7	Cutter support bar B	1	1,200
9	E 2 0 8	Feed screw	1	3,000
10		Roll pin (6×36)	3	48
11	E 2 0 9	Guide A pin	1	216
12				
13		Cutter roll pin (4×32)	1	48
14	E 2 1 5	Cutter notch	1	480
15	E 2 1 6	Notch holder	1	480
16	E 2 1 7	Notch knob	1	720
17		Spring	1	48
18		Hex-socket set screw (M 8×10)	1	60
19		Roll pin (3×32)	1	48
20	5 0 7 9	Cutter roll pin	3	180
21	5 0 7 3	Cutter wheel	1	
22	5 0 7 4	Cutter roll	2	300
23		Spring cotter (2.3×15)	3	48
24		Roll pin (6×20)	3	48
25		Roll pin (6×32)	2	48
26	A 2 5 1	Reamer arm	1	6,600
27	E 2 5 5	Reamer cone	1	12,000
28	E 2 5 6	Reamer blade	5	2,160
29	A 2 5 3	Reamer shaft	1	3,000
30	1 0 9 4	Reamer knob	1	1,320
31	A 2 5 4	Reamer arm stop pin	1	300
32		Socket head cap screw	10	60
33		Steel ball	1	72
34		Spring	1	48
35		Hex-socket set screw (M10×10)	1	60
36		Roll pin (4×10)	1	48
37		Roll pin (8×50)	1	48
38				
39				
40		Cutter complete set	1	33,600
41				
42		Reamer complete set	1	33,600
43				
44				



# REX 150A (Gear Case)



No.	Part No.	Part Name	Set	
1	A 3 0 1	Gear case	1	28,800
2		Condenser Motor 750W	1	67,200
3	A 3 4 2	Motor gear	1	4,320
4		Key	1	144
5	A 5 5 2	Gear pump (reversing)	1	10,200
	A 5 5 1	(normal)	1	8,400
6	A 3 3 3	Upper cover	1	432
7	A 1 9 3	Oil seal	1	432
8	A 3 0 2	Front cover	1	2,400
9	A 3 0 4	Change lever shaft	1	720
10	A 3 0 5	Change lever	1	2,400
11	A 3 0 6	Gear shift fork	1	2,400
12	A 3 1 5	A shaft	1	2,160
13	E 3 4 4	A shaft gear	1	12,000
14	A 3 1 6	A shaft collar	1	216
15	A 3 1 7	A shaft bearing collar	1	300
16	1 3 0 1	Bearing (6003)	4	432
17	A 3 3 2	Iron plate cover (55 $\phi$ )	2	216
18		Key (5 $\times$ 5 $\times$ 22)	2	144
19	A 3 1 8	B shaft	1	5,760
20	E 3 1 2	B shaft gear	1	6,480
21	A 3 1 9	B shaft collar	1	216
22	A 3 2 0	B shaft stop cover	1	2,400
23		Key (5 $\times$ 5 $\times$ 13)	1	144
24	E 3 2 1	C shaft	1	5,760
25	E 3 1 3	C shaft gear	1	8,640
26	A 3 2 2	C shaft collar	1	216
27	A 1 9 1	Bearing (6004)	3	432
28	A 1 9 2	Bearing (6205)	1	540
29	A 3 2 3	D shaft	1	6,480
30	A 3 0 9	Clutch	1	9,360
31	E 3 0 7	Clutch gear L	1	9,360
32	A 3 2 9	Clutch metal L	1	288
33	E 3 0 8	Clutch gear S	1	7,200
34	A 3 3 0	Clutch metal S	1	240
35	A 3 1 4	D shaft gear	1	6,480
36	A 3 2 4	D shaft collar L	2	432
37	A 3 2 7	D shaft stop cover	1	2,880
38	A 3 2 5	D shaft collar S	1	216
39	A 3 2 8	D shaft blind cover	1	2,640
40	A 3 3 1	Iron plate cover (62 $\phi$ )	3	238
41		Key (10 $\times$ 8 $\times$ 50)	1	144
42		Key (7 $\times$ 7 $\times$ 28)	1	144
43		Pipe band	2	72
44		Oil line	2	432
45	1 0 3 5	Joint	2	144
46		Socket head cap screw (M 8 $\times$ 85)	2	60
47		Socket head cap screw (M 8 $\times$ 30)	1	60
48		Socket head cap screw (M10 $\times$ 65 $\times$ 45)	2	60
49		Socket head cap screw (M10 $\times$ 70)	2	60
50		Socket head cap screw (M 6 $\times$ 16)	7	60
51		Socket head cap screw (M 6 $\times$ 25)	4	60
52		Socket head cap screw (M 6 $\times$ 40)	2	60
53		Hexagon head screw (6 $\times$ 10)	14	60
54		Snap ring (AR33)	2	48
55		Snap ring (AR40)	2	48
56		Snap ring (51015)	1	48
57		Snap ring (51025)	1	48
58		Steel ball (8 $\phi$ )	1	72
59		Spring	1	48
60		Roll pin (5 $\times$ 25)	1	48
61		Spring washer (10mm)	4	48
62		Hexagon nut (M10)	4	72
63		Hex-socket set screw (M 8 $\times$ 8)	1	48
64		Washer (8mm)	3	48
65		Spring washer (8mm)	3	48
66		Condenser (Starter and Drive)	1	5,040(stater) 7,200(drive)
67	A 3 3 6	Condenser cover	1	360
68		Speed clamp	1	60
69		Flat head screw (M 5 $\times$ 20)	2	60
70		Nut (5mm)	2	48
71		Washer (5mm)	2	48
72				
73		Gear complete set	1	132,000